

DESCRIPTION

The functioning principle of the N.O. is very simple and extremely safe. Under tension the coil releases and springs up the closing device. The reset is manual to check the causes for gas detection. During normal conditions there is no electric absorption, no wear tear. The N.O. versions can be equipped with a manual closing push button, which can be used to replace a manual closing tap. Closing time <1 sec.

TECHNICAL SPECIFICATIONS

- ▶ **Body material:** Brass, Aluminium
- ▶ **Protection class:** IP 65
- ▶ **Power supply voltage tolerance:** -15% +10%
- ▶ **Coil housing:** class F (155°C)
- ▶ **Ambient temperature:** -15°C + 60°C
- ▶ **Max superficial temperature:** 70°C
- ▶ **According to Directive 2014/30/EU** (Electromagnetic Compatibility)
- ▶ **According to Directive 2014/35/EU** (Low Voltage)

AVAILABLE ON REQUEST

- ▶ NPT version
- ▶ Flanged connections version
- ▶ Other options like position indicator switches on the safety shut off.

MANUAL RESET TYPE

In order to be more reliable this solenoid valves can be reset only when electrically supplied and only if the gas detector doesn't send any danger signal.

REPAIR KIT

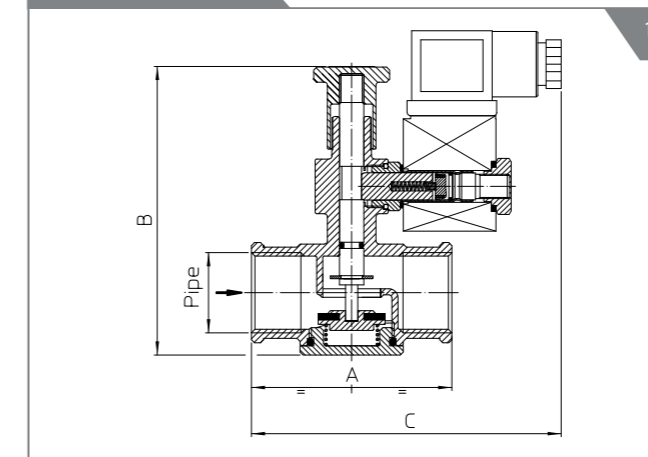
- ▶ These articles can not be supplied as spare part.



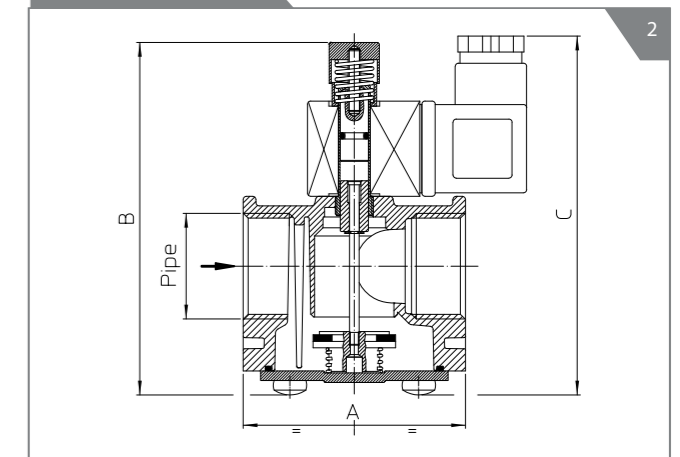
| | | | | | |
|--------------|------------|----------|--------|-----|-----------------------------|
| MD01 | G04 | A1 | B | 015 | |
| Valve Series | G04= G 1/2 | A1= N.A. | B= NBR | 015 | Orifice 10 ⁻¹ mm |

| Port connections | Ø [mm] | Max. working pressure [mbar] | Gas code | Coil type | Voltage code | Connector options Std included | Dimensions [mm] | | | Drawing reference |
|---|--------|------------------------------|---------------|-----------|--------------|--------------------------------|-----------------|---------|-----|-------------------|
| | | | | | | | A | B | C | |
| Normally Open in Brass | | | | | | | | | | |
| G 1/2 | 15 | 500 | MD01G04A1B015 | A | (See table) | A | 66 | 95/107 | 102 | 1 |
| G 3/4 | 20 | 500 | MD01G05A1B020 | A | | A | 66 | 95/107 | 102 | 1 |
| G 1 | 25 | 500 | MD01G06A1B025 | B* | | A - C | 82 | 110/118 | - | 1 |
| Normally Open in Aluminium | | | | | | | | | | |
| G 1/2 | 15 | 500 | MD04G04A1B015 | A | (See table) | A | 70 | 111 | 113 | 2 |
| G 3/4 | 20 | 500 | MD04G05A1B020 | A | | A | 70 | 111 | 113 | 2 |
| G 1 | 25 | 500 | MD04G06A1B025 | A | | A | 70 | 111 | 113 | 2 |
| Normally Open in aluminium with security key | | | | | | | | | | |
| G 1/2 | 15 | 500 | MD04G04A2B015 | A | (See table) | A | 70 | 111 | 123 | 2 |
| G 3/4 | 20 | 500 | MD04G05A2B020 | A | | A | 70 | 111 | 123 | 2 |
| G 1 | 25 | 500 | MD04G06A2B025 | A | | A | 70 | 111 | 123 | 2 |
| Normally Open in Aluminium | | | | | | | | | | |
| G 1 1/4 | 32 | 500 | MD03G07A1B032 | B** | (See table) | A - C | 160 | 196 | - | 3 |
| G 1 1/2 | 40 | 500 | MD03G08A1B040 | B** | | A - C | 160 | 196 | - | 3 |
| G 2 | 50 | 500 | MD03G09A1B040 | B** | | A - C | 160 | 220 | - | 3 |

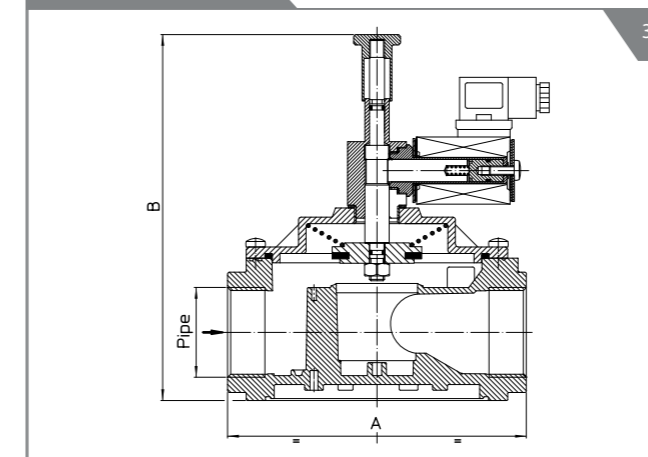
Drawing Reference



Drawing Reference



Drawing Reference



| Coil type | Voltage [V] | Frequency [DC/Hz] | Power [W/WA] | Connector options |
|-----------|-------------|-------------------|--------------|-------------------|
| A | 01 12 | DC | 6 | A |
| | 11 12 ~ | 50/60 | 4 | A |
| | 21 24 | DC | 6 | A |
| | 31 24 ~ | 50/60 | 4 | A |
| | 61 110 ~ | 50/60 | 4 | A |
| B* | 71 230 ~ | 50/60 | 7 | A |
| | 02 12 | DC | 8 | A |
| | 13 12 ~ | 50/60 | 20 | C |
| | 22 24 | DC | 8 | A |
| | 33 24 ~ | 50/60 | 22 | A |
| B** | 63 110 ~ | 50/60 | 21 | A |
| | 72 230 ~ | 50/60 | 8 | A |
| | 03 12 | DC | 20 | A |
| | 13 12 ~ | 50/60 | 20 | C |
| | 23 24 | DC | 21 | A |
| | 33 24 ~ | 50/60 | 22 | A |
| | 63 110 ~ | 50/60 | 21 | A |
| | 74 230 ~ | 50/60 | 23 | A |

Connector options

| | |
|---|---|
| A | Standard |
| C | Rectified (12V 50/60 Hz - 24V 50/60 Hz) |

WARNING

For the solenoid valves installation and maintenance is recommended to consult the instruction sheet supplied with each product.

"ODE" reserves the right to carry out technical and aesthetic modifications without prior notice.