



Solenoid valve 2/2 way N.C. Combined operation

21H3K1V150-OX
÷
21H8K1V400-SOX

PRESENTATION:

Combined operation S.V. for interception of fluids compatibles with the construction materials.
Minimum operational pressure is not required.
The materials used and the tests carried out ensure maximum reliability and duration.
Components, in contact with fluid, oils and greases free and compatible with oxygen for Industrial use.

USE: Automation
Chemical

PIPES: G 3/8 - G 1 1/2

COILS:

8W - Ø 13	
BDA - BSA	155°C (class F)
BDV	180°C (class H)
12W - Ø 13	
UDA	155°C (class F)
14W - Ø 13	
GDH - GDV	180°C (class H)

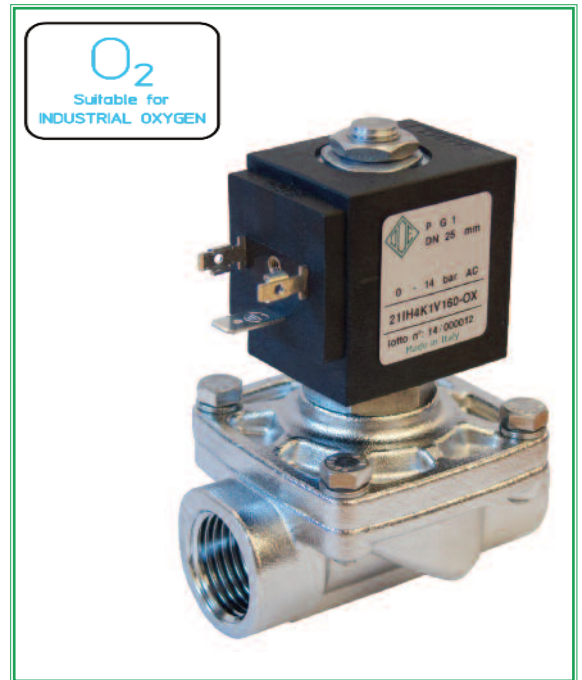
COIL HOUSING AND COIL FORMER MATERIAL ARE MADE BY 100% VIRGIN MATERIAL.

Max. allowable pressure (PS) 16 bar

Ambient temperature:

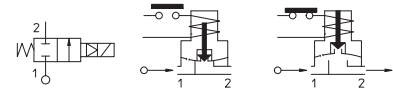
See coils catalogue page for its compatibility.

Gaskets	Temperature		Medium
V=FKM (fluoroelastomer)	- 10°C	+ 60°C	Oxygen



CE Approval

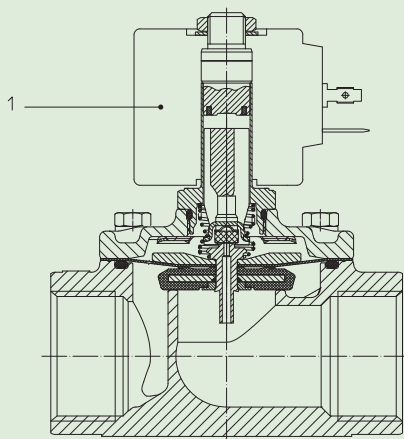
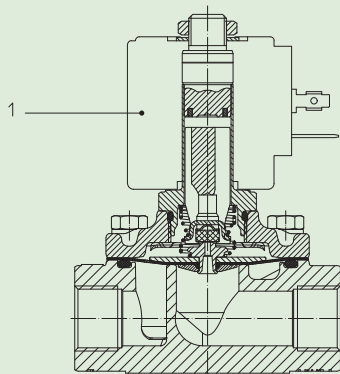
(Pressure Equipment Directive 2014/68/EU)
for S.V. 21H7..-OX+21H8..-SOX



Pipe ISO 228/1	Code	Ø mm	Kv l/mn	Power watt	Pressure		
					min bar	M.O.P.D. AC bar DC bar	
G 3/8	21H3K1V150-OX	15	40	8	0	14	6
				12		-	14
G 1/2	21H4K1V160-OX	16	50	8		14	6
				12		-	14
G 3/4	21H5K1V200-OX	20	60	8		14	6
				12		-	14
G 1	21H6K1V250-OX	25	140	8		14	3
				12		-	8
				14		-	14
G 1 1/4	21H7K1V350-OX	35	300	8		8	-
				12	14	-	
				14	-	2	
	21H7K1V350-SOX		8	-	1		
			12	-	4		
			14	-	7		
G 1 1/2	21H8K1V400-OX	40	320	8	8	-	
				12	14	-	
				14	-	2	
	21H8K1V400-SOX		8	-	1		
			12	-	4		
			14	-	7		

Note Don't use as a safety Valve.

The "ODE" reserves the right to carry out technical and aesthetic modifications without prior notice.



MATERIALS:

- Body** Stainless steel AISI 316
- Armature tube** Stainless steel AISI 316
- Fixed core** Stainless steel AISI series 400
- Plunger** Stainless steel AISI series 400
- Phase displacement ring** Gold plated copper
- Spring** Stainless steel AISI series 300
- Seal** V=FKM (compatible with O₂)
- Orifice** Stainless steel AISI 316

On request:

- Connector** Pg 9 or Pg 11
- Connector conformity** ISO 4400

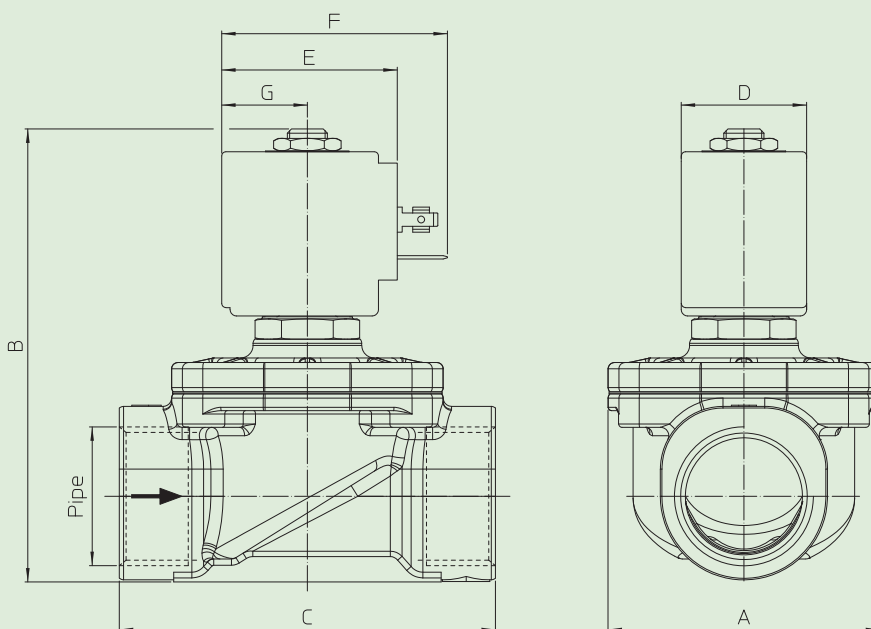
FEATURES:

- Electrical conformity** IEC 335
- Protection degree** IP 65 EN 60529 (DIN 40050) with coil fitted by connector.

SPARE PARTS:

- 1. Coil:** See coils list

DIMENSIONS:



Type	Pipe ISO 228/1	A mm	B mm	C mm
21IH3K1V150-OX	G 3/8	52	92	68
21IH4K1V160-OX	G 1/2			
21IH5K1V200-OX	G 3/4	58	100	75
21IH6K1V250-OX	G 1	65	109	90
21IH7K1V350-OX	G 1 1/4	94	126	128
21IH7K1V350-SOX				
21IH8K1V400-OX	G 1 1/2			
21IH8K1V400-SOX				

COIL TYPE	POWER ABSORPTION			DIMENSIONS			
	W ---	Hold VA ~	Inrush VA ~	D mm	E mm	F mm	G mm
B	8	14,5	25	30	42	54	20,5
U	12	23	35	36	48	60	23,5
G	14	27	43	52	55	67	25