

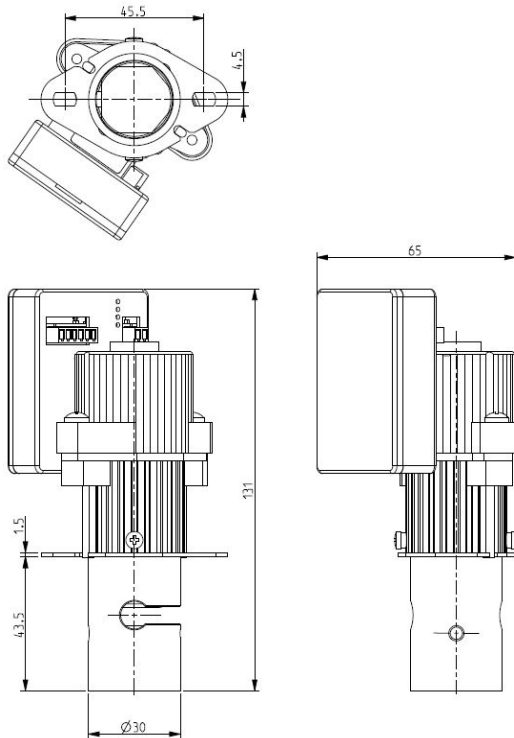


STEPPER MOTOR PINCH VALVE 2 WAY CONTROLLED VIA POTENTIOMETER

S170XA01X4900VU

PROPORTIONAL

FLOW CONTROL



► GENERAL FEATURES

Stepper motor pinch valve, suitable to shut off media without producing neither turbulent flows, nor dead spaces. Particularly suitable for most of the analytical, medical and food applications. The "OPEN" and "CLOSE" positions of the valve will be set as indicated in the section "OPERATING INSTRUCTIONS".

The system allows a bi-directional through flow and a high flow rate. The valve is suitable for elastic tubings with hardness up to 90 Shore A.

The tubing (not included in our supply) is the only material in contact with the fluid.

► MATERIALS (OF THE PINCHING DEVICE)

Body	Anodized aluminium
Pinching device	POM (reinforced acetal copolymer)
Engine cover	PA (Polyamide)
Board cover	PA (Polyamide)

► ELECTRIC FEATURES

Power supply	[12÷24] V
Continuous duty	ED 100%
Minimum step	0.033mm/step
Insulation class	B (130°C)
Ambient temperature	-10°C +60°C
Electric connection	Molex pitch 2.54mm 6 pins Molex pitch 2.54mm 2 pins
Protection degree	IP 40 (EN 60529)

► LED INDICATIONS

Red	Alarm / Malfunction
Yellow	Valve closed
Green	Valve open
Blue	Programming mode

TUBINGS	Pinching strength (N)	Opening/closing speed (mm/s)	Series and type	Power absorption (W)	Notes	Weight (kg)
MAX O.D. (mm)			Valve	In operation		
9,5	up to 80	3,33	S170XA01X4900VU	9	-	0.25

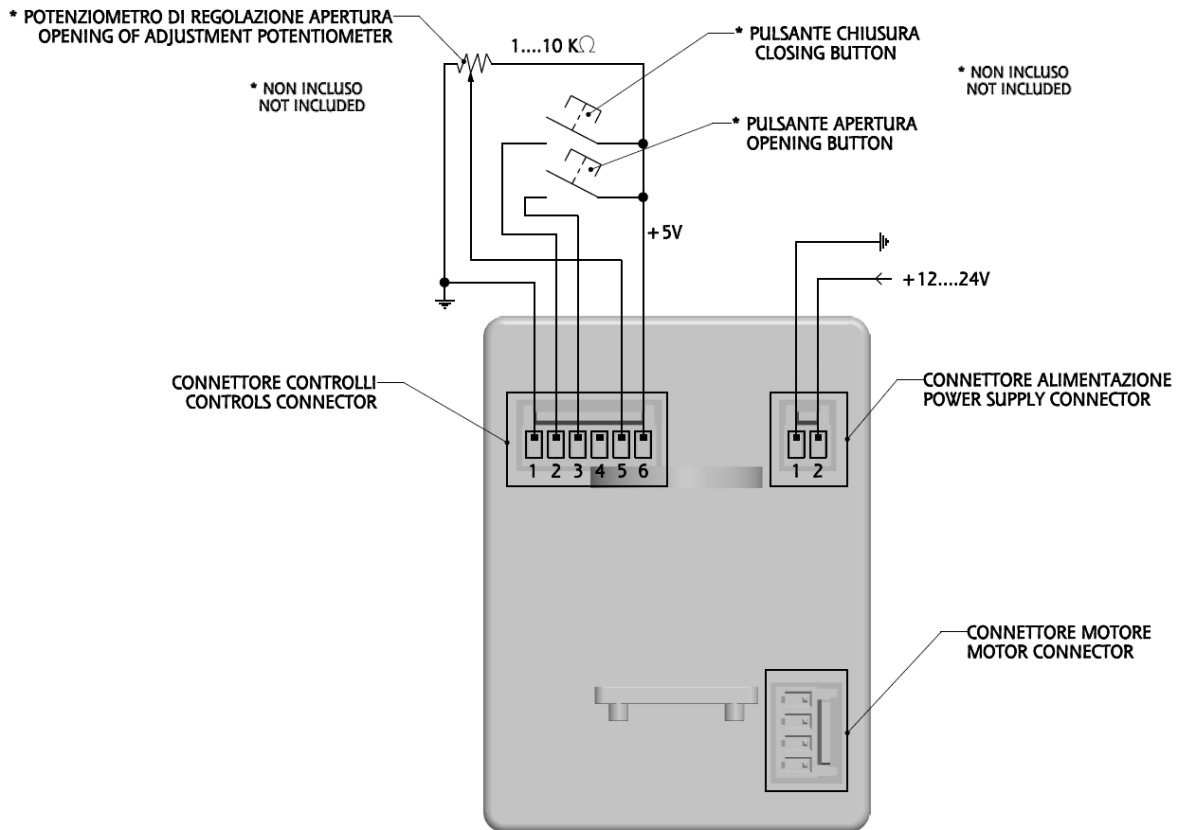
► NOTE

- Some data, e.g. actuating time and power absorption, are directly depending on the electronic control and can vary accordingly
- Valve position fixed on loss of power. "Fail Saving" function available on demand.

THE VALIDITY OF REPORTED DATA IS REFERRED TO THE DATE OF ISSUE. POSSIBLE UPDATES ARE AVAILABLE ON REQUEST

S170XA01X4900VU

► CONNECTION



► OPERATION

When power is supplied, the valve will reset (red and green LEDs on) and will automatically move to OPEN position (red LED off). If the position of the potentiometer doesn't allow a complete opening of the valve (the yellow LED will be on, in addition to the red and green ones), adjust the potentiometer so as to have a complete opening.

1. Insert the tube in the respective slot

The valve is now operational and by providing the opening or closing pulse (minimum 10ms), the valve will act accordingly.

LED signals meaning:

- Green LED on -> Valve open*
- Yellow LED on -> Valve closed

Note:

Valve position fixed on loss of power. When the power will be restored, the valve will reset (red and green LEDs on) and will automatically move to OPEN position (red LED off). If the potentiometer is not in complete opening position, the yellow LED will be on.

NB: With the open valve, it will be possible to adjust the opening degree according to your needs, by adjusting the potentiometer.

*the opening degree is controlled by the position of the potentiometer.