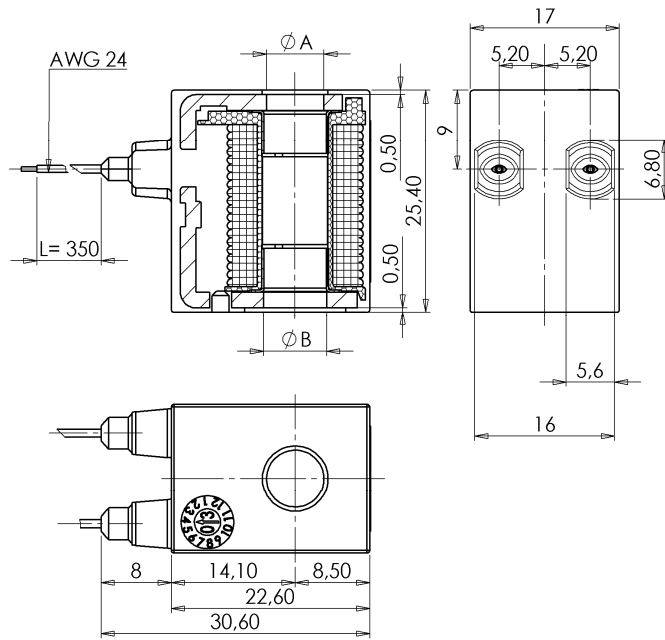




COIL Flying leads

Z036



► GENERAL FEATURES

Complying with 73/23/EC directive and relative modification 93/68/EC.
Complying with VDE 0580 standard (100% inspected).

► ELECTRIC CONNECTIONS

N° 2 wires AWG 24 length 350 mm.

► ENCAPSULATION MATERIALS

PET (polyethylene terephthalate) fiberglass reinforced; black colour

► TECHNICAL FEATURES

Continuous duty ED 100% (see notes)
Insulation class F (155°C)
Ambient temperature -10°C +60°C
Protection degree IP 66 (EN 60529)
Voltages DC 12-24V (+10% -5%)
AC 24V/50Hz (+10% -15%)
(Other voltages and frequencies on request).

TYPE	POWER ABSORPTION			HOLES		NOTES	WEIGHT (kg)
	AC (VA)		DC (W)	ØA	ØB		
	Inrush	Holding					
Z036A	6	5	4	6,5	7,2		0,035
Z036B	-	-	1				
Z036C	4	3	2,5				
Z036D			3				
Z036T			3,4				
Z036F			6				
Z036H			8			1	

► NOTES

1 - Coil for discontinuous duty, ED according to use.

THE VALIDITY OF REPORTED DATA IS REFERRED TO THE DATE OF ISSUE. POSSIBLE UPDATES ARE AVAILABLE ON REQUEST.

0404/1111