

SMHT175 Series

UHP Surface Mount Diaphragm Valve
High Temperature, Stainless Steel

aerospace
climate control
electromechanical
filtration
fluid & gas handling
hydraulics
pneumatics
process control
sealing & shielding

Value Proposition:

Parker Hannifin Corporation's Veriflo Division presents the Surface Mount HT175 High Temperature Air Operated Diaphragm Valve. The SMHT175 provides exceptional performance for today's modular surface mount systems that have both high temperature and high flow requirements.



Contact Information:

Parker Hannifin Corporation
Veriflo Division
250 Canal Blvd
Richmond, California 94804

phone 510 235 9590
fax 510 232 7396
veriflo.sales@parker.com

www.parker.com/veriflo
Mobile App: m.parker.com/veriflo

Product Features:

- Designed to operate at a locally heated maximum operating temperature of 175° C
- Standard Polyimide seat for high temperature applications
- Standard surface finish of 5 micro inch Ra with internal and external Electropolish
- 100% Helium leak tested
- Fully functional for pressure ranges from vacuum to 125 psig for Air Operated valves
- “VeriClean”, Veriflo’s custom low sulfur high purity 316L Stainless Steel™ enhances electropolishing and corrosion resistance
- Internally threadless and springless

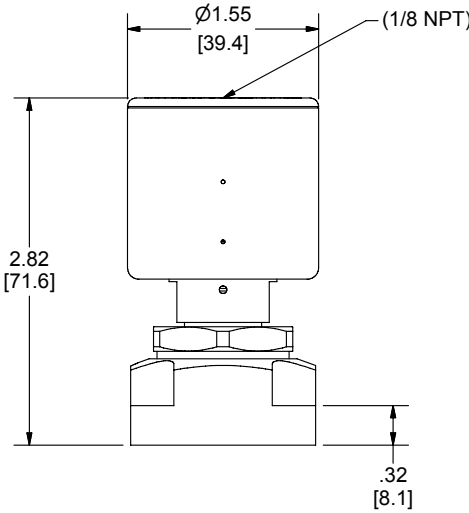


ENGINEERING YOUR SUCCESS.

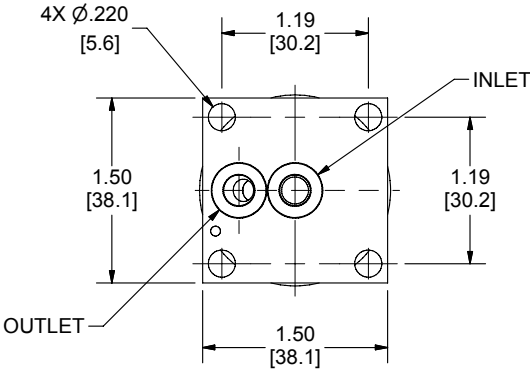
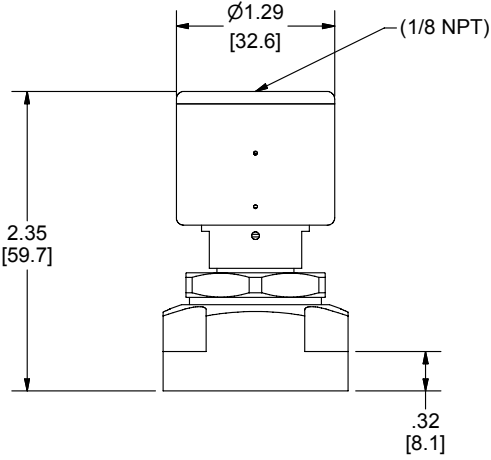
SMHT175 Series

Dimensional Drawings

SMHT175 LPNC



SMHT175 LPNO



High Flow C-SEAL

SMHT175 Series

Ordering Information

Part Number	Model Description	Actuation Type	Seat Material	Porting Connections
54020900	SMHT175LPNCS11	Normally Closed, Low Pressure	Polyimide	2 Port, High Flow C-Seal
54020901	SMHT175LPNOS11	Normally Open, Low Pressure	Polyimide	2 Port, High Flow C-Seal

SMHT175 Series

Specifications

Materials of Construction	
Wetted	
Body	VeriClean™ 316L Stainless Steel
Diaphragm	Elgiloy® or equivalent
Seat	Polyimide
Non-wetted	
Cap	17-4 PH Stainless Steel
Nut	17-4 PH Stainless Steel
Operating Conditions	
Maximum Pressure	125 psig (8.6 barg)
Minimum Pressure	Vacuum
AOP Air Inlet 1/8"NPT	70-125 psig
Environment Operating Temperature	-40°F to 150°F (-40°C to 66°C)
*Valve Operating Temperature	-40°F to 347°F (-40°C to 175°C)

* Locally heated.

For additional information on materials of construction, functional performance and operating conditions, please contact factory.

Functional Performance	
Design	
Burst Pressure	375 psig (26 barg)
Proof Pressure	188 psig (13 barg)
Flow Capacity	
High Flow	C _v 0.50
Leak Rate	
Inboard Test Method	
Internal	≤ 1 x 10 ⁻⁹ scc/sec He
External	≤ 1 x 10 ⁻⁹ scc/sec He
Surface Finish	
5 micro inch Ra or less	
Internal Volume	
0.70 cc	
Approx. Weight	
0.80 lbs. (0.36 kg)	

Elgiloy® is a registered trademark of Elgiloy Company
VeriClean™ is a trademark of Parker Hannifin Corporation

OFFER OF SALE:

The items described in this document are hereby offered for sale by Parker-Hannifin Corporation, its subsidiaries or its authorized distributors. This offer and its acceptance are governed by the provisions stated in the detailed "Offer of Sale" elsewhere in this document or available at www.parker.com/veriflo



FAILURE OR IMPROPER SELECTION OR IMPROPER USE OF THE PRODUCTS DESCRIBED HEREIN OR RELATED ITEMS CAN CAUSE DEATH, PERSONAL INJURY AND PROPERTY DAMAGE. THIS DOCUMENT IS FOR REFERENCE ONLY. PLEASE CONSULT FACTORY FOR LATEST PRODUCT DRAWINGS AND SPECIFICATIONS

This document and other information from Parker-Hannifin Corporation, its subsidiaries and authorized distributors provide product or system options for further investigation by users having technical expertise.

The user, through its own analysis and testing, is solely responsible for making the final selection of the system and components and assuring that all performance, endurance, maintenance, safety and warning requirements of the application are met. The user must analyze all aspects of the application, follow applicable industry standards, and follow the information concerning the product in the current product catalog and in any other materials provided from Parker or its subsidiaries or authorized distributors.

To the extent that Parker or its subsidiaries or authorized distributors provide component or system options based upon data or specifications provided by the user, the user is responsible for determining that such data and specifications are suitable and sufficient for all applications and reasonably foreseeable uses of the components or systems.

The products described herein, including without limitation, product features, specifications, designs, availability and pricing are subject to change by Parker Hannifin Corp and its subsidiaries at any time without notice.

Proposition 65 Warning: This product contains chemicals known to the state of California to cause cancer or birth defects or other reproductive harm.

© 2009 Parker Hannifin Corporation



Use mobile device to scan this QR Code.

LitPN: 25000265

Rev: B

Date of Issue 04/2012



ENGINEERING YOUR SUCCESS.