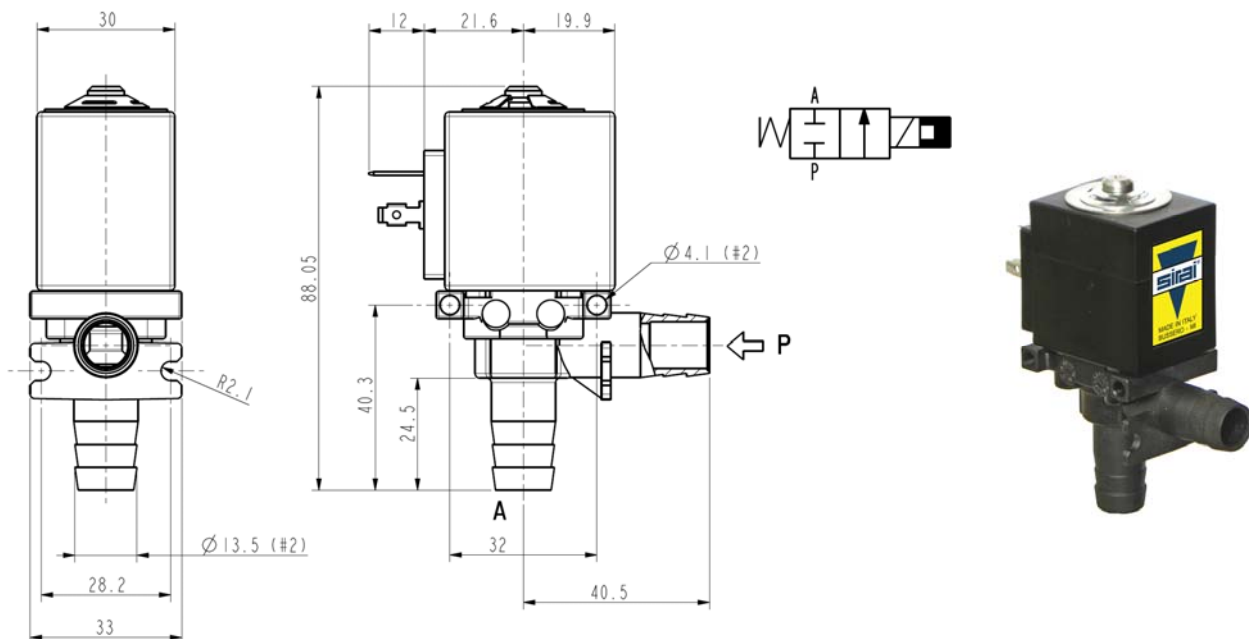




**SOLENOID VALVE - DRY**  
**2/2 - NC (Normally closed)**  
 Direct acting – Total isolation  
 Barbed port

**D136D02**  
 LATCHING MODEL



► **GENERAL FEATURES**

Direct acting, total isolation solenoid valve: the actuator is totally isolated from the fluid so that the wetted parts are just the body and the diaphragm.

Possibility of disassembling for inspection.

Particularly suitable for tanks draining.

Suitable to shut off liquid fluids (verify the compatibility of fluid with materials in contact).

► **TECHNICAL FEATURES**

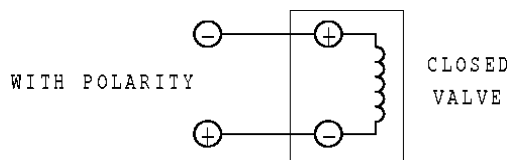
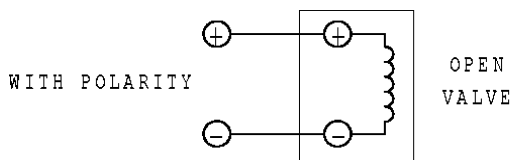
Maximum allowable pressure (PS) 2 bar  
 Opening time 50ms  
 Closing time 50ms  
 Fluid temperature - 30°C +100°C  
 Max viscosity 5°E (~37 cStokes or mm<sup>2</sup>/s)

► **MATERIALS IN CONTACT WITH FLUID**

Body PPS (Polyphenylene-sulfide) reinforced  
 Sealing EPDM

► **COIL**

Continuous duty Latching model, polarized type. Operating by impulses.  
 Minimum energizing time 200 ms  
 Encapsulation material PP-V0 (self-extinguishing polypropylene)  
 Insulation class A (105°C)  
 Ambient temperature -10°C +60°C  
 Electric connections DIN 46340 – 3 poles connectors (EN 175301-803)  
 Protection degree IP 65 (EN 60529) with plug connector  
 Voltages DC 6-12-24V (+/- 10%)  
 (Other voltages on request)

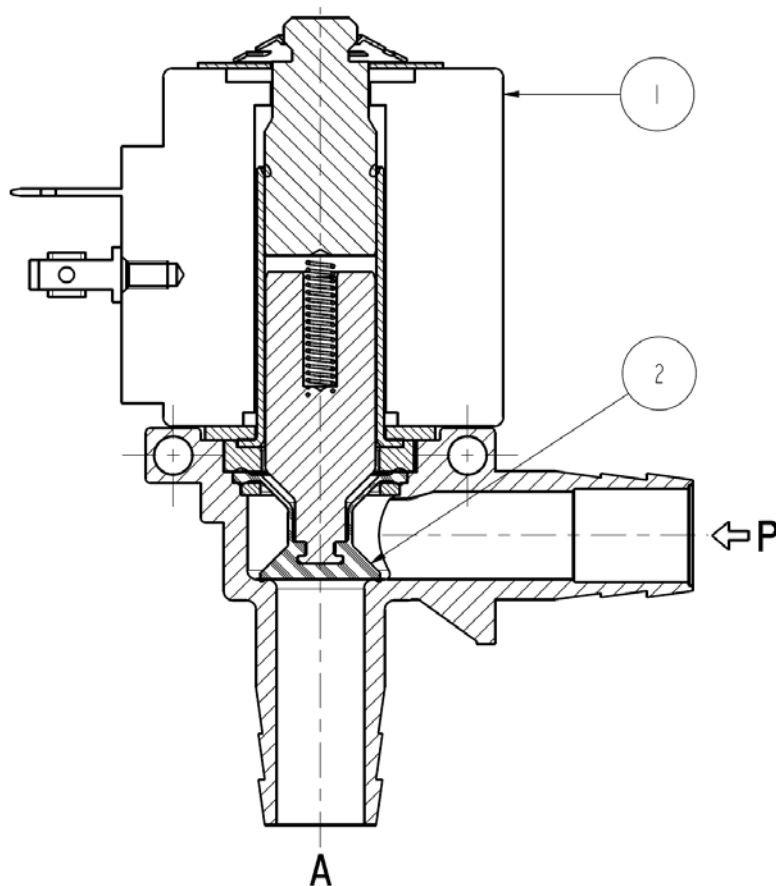


Port	Orifice size (mm)	Differential pressure (bar)				Kv (m <sup>3</sup> /h)	Series and type		Power absorption			Sealings	Notes	Weight (kg)
		Δp min	Δp max		Valve		Coil	AC (VA)		DC (W)				
			Gases	Liquids				Inrush	Holding					
		AC	DC	AC	DC									
Barbed port	9,5	0	-	-	0,5	1	D136D02	ZA70A	-	-	6	EPDM	-	0,200

► **NOTES**

- Sealing: EPDM = Ethylene-propylene elastomer

## ► SPARE PARTS



### Kit description

Diaphragm kit

Coil

### Kit P.N.

G3142302

ZA70A

### Consisting of:

Diaphragm pos. 2

Coil pos. 1

## ► MOUNTING

- Solenoid valve can be mounted in any position.
- In case of disassembling for usual maintenance, the fixing screws of the guide assembly have to be tightened with  $0,6 \pm 0,7$  Nm torque.