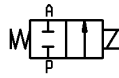
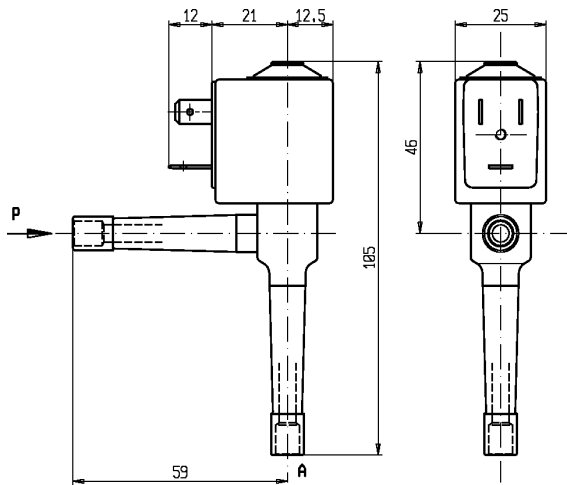




**SOLENOID VALVE**  
**2/2- NC (Normally closed)**  
**Direct acting**

**L104**



► **GENERAL FEATURES**

Direct acting solenoid valve. Hermetic construction completely braze welded. Connections to be welded to copper pipes having outside diameter 6,35 mm.

Suitable to shut off liquid and gaseous fluids; particularly suitable to shut off refrigerating fluids (verify the compatibility of fluid with material in contact).

► **TECHNICAL FEATURES**

<i>Maximum allowable pressure (PS)</i>	20 bar
<i>Opening time</i>	~ 20 ms
<i>Closing time</i>	~ 20 ms
<i>Fluid temperature</i>	-10°C +90°C
<i>Max viscosity</i>	5°E (~37 cStokes or mm <sup>2</sup> /s)

► **MATERIALS IN CONTACT WITH FLUID**

<i>Body</i>	Brass
<i>Sealing</i>	CR
<i>Internal components</i>	Stainless steel
<i>Seat</i>	Brass
<i>Core tube</i>	Stainless steel
<i>Shading coil</i>	Copper

► **COIL**

<i>Continuous duty</i>	ED 100%
<i>Encapsulation material</i>	PET (polyethylene terephthalate) fiberglass reinforced
<i>Insulation class</i>	F (155°C) on request class H (180°C) - UL
<i>Ambient temperature</i>	-10°C +60°C
<i>Electric connection</i>	DIN 46340 - 3 poles plug-connectors
<i>Protection degree</i>	IP65 (EN 60529) with plug-connector
<i>Voltages AC</i>	24V/50-60Hz - 110V/50-60Hz (120V/60Hz) 230V/50-60Hz (+10% -15%) (Other voltages and frequencies on request).

Port size	Orifice size (mm)	Differential pressure (bar)						Kv (m <sup>3</sup> /h)	Series and type		Power absorption			Sealings	Notes	Weight (kg)
		Δp min	Δp max				Valve		Coil	AC (VA)		DC (W)				
			Gases		Liquids					Inrush	Holding					
			AC	DC	AC	DC										
-	2	0	15	-	15	-	0,16	L104N2	Z610A	16	10	-	CR	1	0,160	

► **NOTES**

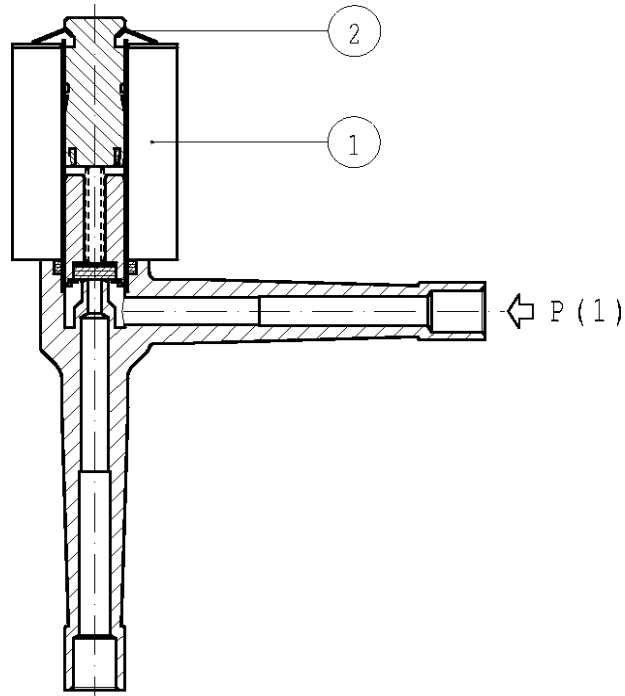
- Sealings: CR = Neoprene elastomer.

1 - The valves fitted with 50Hz coil can operate at 60 Hz but in this case the Δp max corresponds to the nominal value less 20%.

0312/0502

# L104

## ► SPARE PARTS



A ( 2 )

Kit description	Kit P.N.	Consisting of:
Clip	U2380000008	Clip pos. 2
Coil	Z610A	Coil po. 1

## ► INSTALLATION

- Solenoid valve can be mounted in any position; vertical with coil upwards preferred.
- Valves and coils are supplied separately to allow the pipes welding: during this operation, the central part of the body must not exceed 100°C.