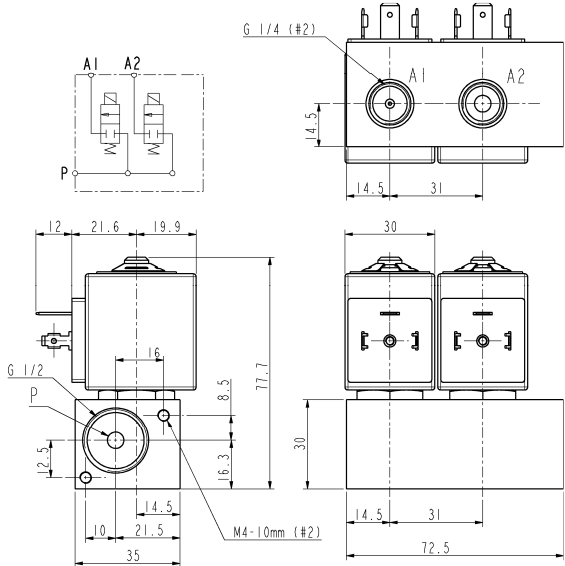




MANIFOLD WITH 2 ACTUATORS
2/2 - NC (Normally closed)
Direct acting
G1/2 (P) – G1/4 (A1-A2)

L621B03-V04

NON STANDARD



► **GENERAL FEATURES**

Direct acting manifold with 2 actuators, L621V04 complying with NSF standards.
 Suitable to shut off liquid and gaseous fluids (verify the compatibility of fluid with materials in contact).

► **TECHNICAL FEATURES**

Maximum allowable pressure (PS) 40 bar
Opening time ~20ms
Closing time ~20ms
Fluid temperature -10°C +90°C (NBR)
 0°C +130°C (FPM)
Max viscosity 5°E (37 cStokes or mm²/s)

► **MATERIALS IN CONTACT WITH FLUID**

Body L621B03 - Brass
 L621V04 - Brass with chemical nickel coating (Ni-P)
Sealing NBR or FPM
Internal components Stainless steel
Seat Brass
Core tube Stainless steel
Shading coil Copper

► **COIL**

Continuous duty ED 100%
Encapsulation material PET (polyethylene-terephthalate) fiberglass reinforced
Insulation class H (180°C) - UL
Ambient temperature -10°C +80°C
Electric connections DIN 46340 - 3 poles connectors (DIN 53650)
Protection degree IP 65 (EN 60529) with plug connector
Voltages DC 24V/50Hz • 110V/50Hz (120V/60Hz) •
 230V/50Hz (+10% -15%)
 (Other voltages on request).

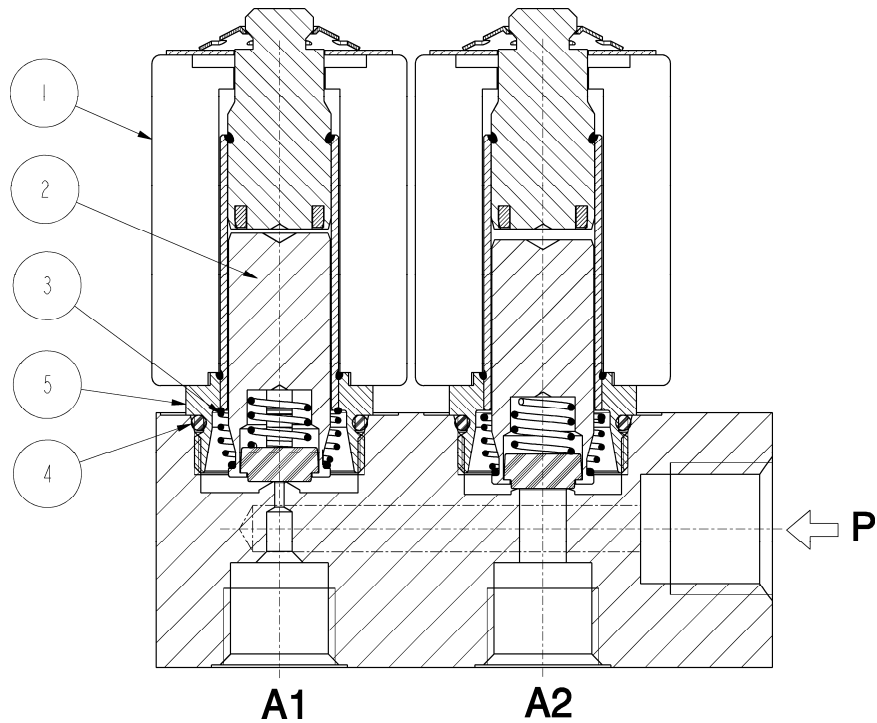
Port size ISO-228	Orifice size (mm)	Differential pressure (bar)				Kv (m ³ /h) ▲	Series and type		Power absorption ■			Sealings	Notes	Weight (kg)	
		Δp min	Δp max				Valve	Coil	AC (VA)		DC (W)				
			Gases		Liquids				Inrush	Holding					
			AC	DC	AC										DC
P=G1/2 A1-A2=G1/4	A1=1,1	0	6	-	6	-	L621B03	ZA34A	23	14	-	NBR	-	0,920	
	A2=4,5														0,05
	A1=1,1														0,05
	A2=4,5														0,50

► **NOTES**

- Sealings: NBR = Nitril-butylene elastomer FPM=Fluoro-carbon elastomer (complying with FDA standards)
 ▲ - Value referred to each single actuator.
 ■ - Power absorption of a single coil.

NON STANDARD

► SPARE PARTS



Kit description

Kit description		Kit P.N.	Consisting of:
Core kit	L621B03 L621V04	G3022804 G3022803	Core (with core return spring) pos. 2 O-ring guide assembly pos. 4
Core return spring kit		G3022401	N.10 core return spring pos. 3
OR guide assembly kit	L621B03 L621V04	GU2421000017 GU2424000017	N.10 O-ring guide assembly pos. 4
Guide pipe assembly		3008301R	Guide pipe assembly pos. 5
Coil		ZA34A	Coil pos. 1

► MOUNTING

Manifold can be mounted in any position; vertical with coils upwards preferred.