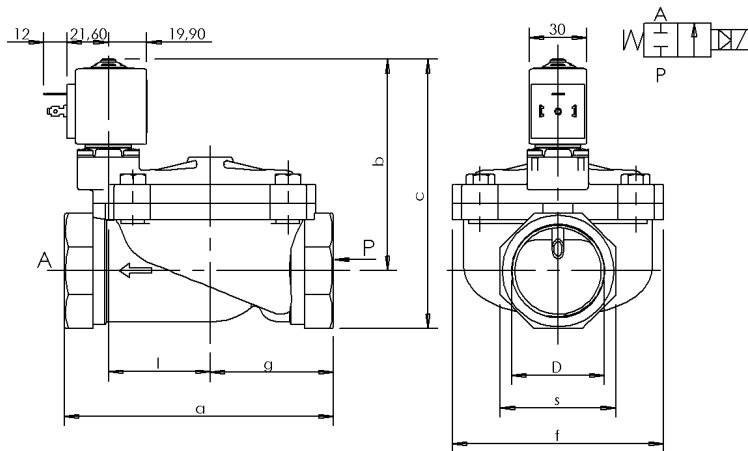




**SOLENOID VALVE**  
**2/2 - NC (Normally closed)**  
**Pilot operated**  
**1 ¼ ÷ 2 NPT**

**L180-NPT**



Without manual override								With manual override	
D	a	b	c	f	g	l	s	b	c
1 ¼	113	107	133	81	50	40	52	130	156
1 ½	140	110	140	110	60	53	60	133	163
2	157	115	151	110	72	53	72	138	174

► **GENERAL FEATURES**

Diaphragm valve, pilot operated, having full orifice.  
 Suitable to shut off liquid and gaseous fluids (verify the compatibility of fluid with materials in contact).  
 Not suitable for use with dangerous fluids listed in Group 1, therefore they are free from CE marking in conformity with article 3 § 3 of the European Directive 97/23/EC (Pressure Equipment Directive).

► **MATERIALS IN CONTACT WITH FLUID**

*Body* Brass  
*Sealing* NBR or FPM  
*Internal components* Brass and stainless steel  
*Seat* Brass  
*Guide assembly* Stainless steel  
*Shading ring* Copper

► **TECHNICAL FEATURES**

*Maximum allowable pressure (PS)* 15 bar  
*Opening time* from ~300ms to ~1500ms  
*Closing time* from ~1000ms to ~2000ms  
*Fluid temperature* -10°C +90°C (NBR)  
 0°C +130°C (FPM)  
*Max viscosity* 5°E (~37 cStokes or mm<sup>2</sup>/s)

► **COIL**

*Continuous duty* ED 100%  
*Encapsulation material* PET (polyethylene-terephthalate) fiberglass reinforced  
*Coil insulation class* F (155°C) on request class H (180°C) - UL  
*Ambient temperature* -10°C +50°C  
*Electric connections* DIN 46340 - 3 poles connectors (EN175301-803)  
*Protection degree* IP 65 (EN 60529) with plug connector  
*Voltages DC* 12-24V (+10% -5%)  
*AC* 24V/50Hz - 110V/50Hz (120V/60Hz) - 230V/50Hz (+10% -15%)  
 (Other voltages and frequencies on request).

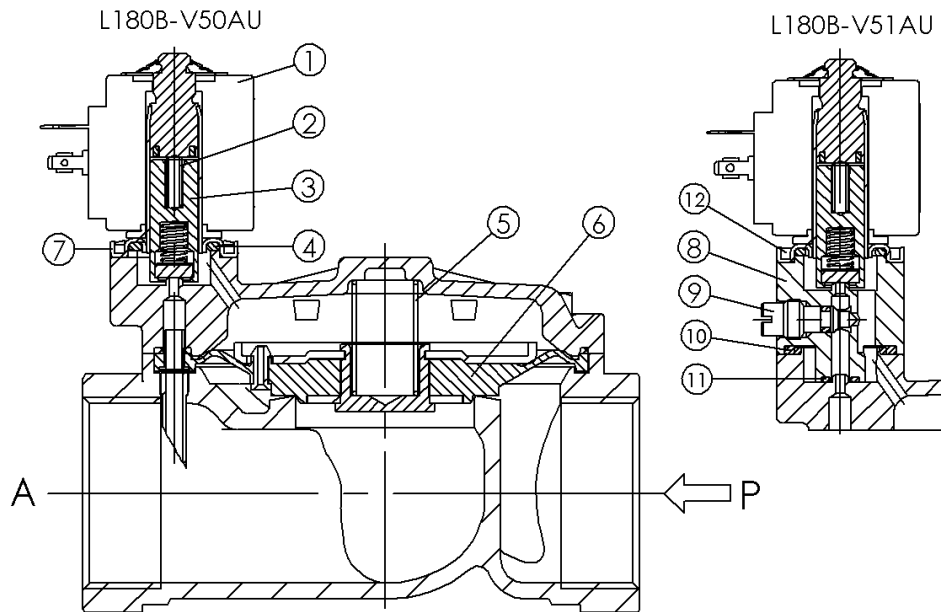
Port size (ins)	Orifice size (mm)	Differential pressure (bar)				Kv (m <sup>3</sup> /h)	Series and type			Power absorption			Sealings	Notes	Weight (kg)								
		Δp min	Δp max		Valve		Valve with manual overide	Coil	AC (VA)		DC (W)												
			Gases						Inrush	Holding													
			AC	DC																			
1 ¼ NPT	30	0,50	10	10	10	15	L180B50	L180B51	ZA30A	23	14	9	NBR	1	1,640								
1 ½ NPT	45														2,600								
2 NPT	45														3,020								
1 ¼ NPT	30														15	L180V50	L180V51	23	14	9	FPM	1	1,640
1 ½ NPT	45																						2,600
2 NPT	45																						3,020

► **NOTES**

- Sealings : NBR = Nitrile-butylene elastomer FPM = Fluoro-carbon elastomer  
 - Operation with gaseous fluids at high pressure without any outlet restriction can reduce the diaphragm life.  
 1 - L180B51 and L180V51: weight increased of 0,180Kg.

# L180-NPT

## ► SPARE PARTS



Kit description	Kit P.N.	Consisting of:
Core kit	L180B.. G3108701 L180V.. G3108702	Core pos. 3 Core return spring pos. 2 OR guide assembly pos. 4
Core return spring kit	G3111101	N.10 core return spring pos. 2
Spring on diaphragm kit	1 ¼ NPT G2401101 1 ½ - 2 NPT G2401501	N.10 spring on diaphragm pos. 5
OR guide assembly kit	L180B.. GU2421000053 L180V.. GU2424000053	N.10 OR guide assembly pos. 4
Diaphragm kit	1 ¼ NPT L180B.. 2400801R 1 ½ - 2 NPT L180B.. 2401301R 1 ¼ NPT L180V.. 2400802R 1 ½ - 2 NPT L180V.. 2401302R	Diaphragm assembly pos. 6
Manual override group	L180B51 G3108801 L180V51 G3108802	Body pos.8 Pin group pos. 9 Intermediate OR pos. 10 Lower OR pos. 11 N.4 fixing screw pos. 12
Guide assembly	3092201R	Guide assembly pos. 7
Coil	ZA30A	Coil pos. 1

## ► MOUNTING

Solenoid valve can be mounted in any position; vertical with coil upwards preferred.

THE VALIDITY OF REPORTED DATA IS REFERRED TO THE DATE OF ISSUE. POSSIBLE UPDATES ARE AVAILABLE ON REQUEST.