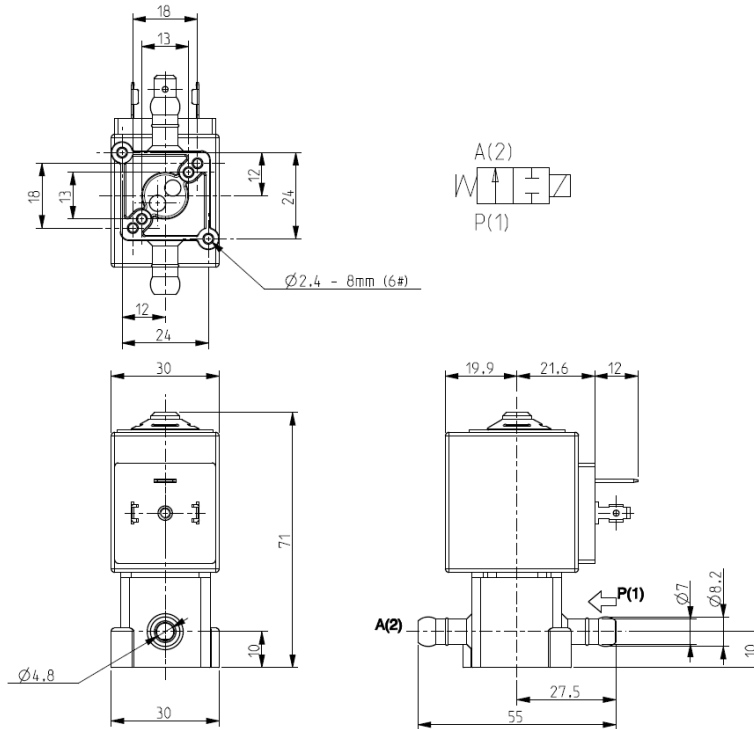




**SOLENOID VALVE**  
**2/2 - NC (Normally closed)**  
 Direct acting  
 Barbed ports

**L123V04**



► **GENERAL FEATURES**

Direct acting solenoid valve.  
 Suitable to shut off liquid and gaseous fluids; suitable for low pressure steam and applications in sterilising autoclaves (verify the compatibility of fluid with materials in contact).

► **TECHNICAL FEATURES**

Maximum allowable pressure (PS) 10 bar  
 Opening time ~20ms  
 Closing time ~20ms  
 Fluid temperature 0°C +130°C  
 Max viscosity 5°E (~37 cStokes or mm<sup>2</sup>/s)

► **MATERIALS IN CONTACT WITH FLUID**

Body PPS  
 Sealing FPM  
 Internal components Stainless steel  
 Seat PPS  
 Guide assembly Stainless steel  
 Shading ring Copper

► **COIL**

Continuous duty ED 100%  
 Encapsulation material PET (polyethylene-terephthalate) fiberglass reinforced  
 Coil insulation class F (155°C) on request class H (180°C) - UL  
 Ambient temperature -10°C +50°C  
 Electric connections DIN 46340 - 3 poles connectors (EN175301-803)  
 Protection degree IP 65 (EN 60529) with plug connector  
 Voltages DC 12-24V (+10% -5%)  
 AC 24V/50Hz - 110V/50Hz (120V/60Hz) - 230V/50Hz (+10% -15%)  
 (Other voltages and frequencies on request).

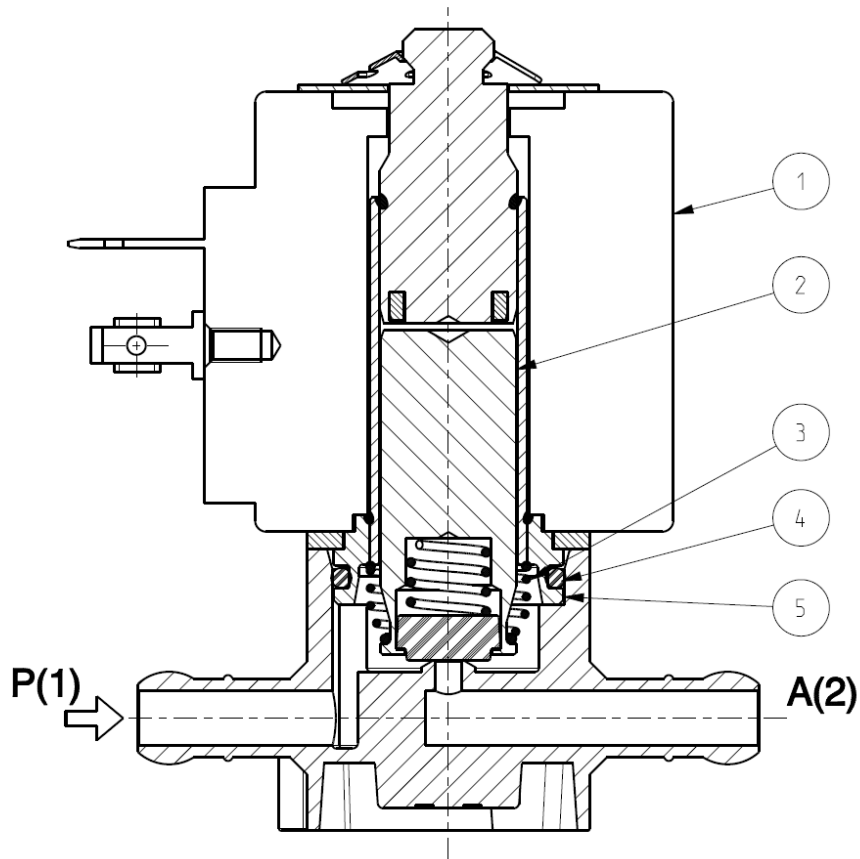
Port size	Orifice size (mm)	Differential pressure (bar)				Kv (m <sup>3</sup> /h)	Series and type		Power absorption			Sealings	Notes	Weight (kg)
		Δp min	Δp max		Valve		Coil	AC (VA)		DC (W)				
			Gases	Liquids				Inrush	Holding					
Barbed ports	2,3	0	10	10	10	10	L123V04	ZA30A	23	14	9	FPM	1 - 2	0,220
	3,2		10	4	10	4								

► **NOTES**

- Sealings : FPM = Fluoro-carbon elastomer
- 1 - Only for use with steam, consider following values: PSmax 2,8 bar (max fluid temperature 130°)
- 2 - The pressure values shown in the table refer to the potential of the valve: they can be lower depending on the connection system used

# L123V04

## ► SPARE PARTS



### Kit description

Core kit

Kit P.N.

G3139401

Consisting of:

Core pos. 2

Core return spring kit

G3022401

N.10 core return spring pos. 3

O-Ring guide assembly kit

GU2428000017

N.10 O-Ring guide assembly pos. 4

Guide assembly

293628-001R

Guide assembly pos. 5

Coil

ZA30A

Coil pos.1

## ► MOUNTING

- Solenoid valve can be mounted in any position; vertical with coil upwards preferred.

- In case of disassembling for usual maintenance, the fixing screws of the guide assembly have to be tightened with  $0,6\pm 0,7$  Nm torque.