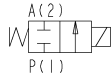
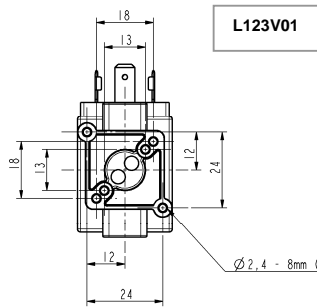




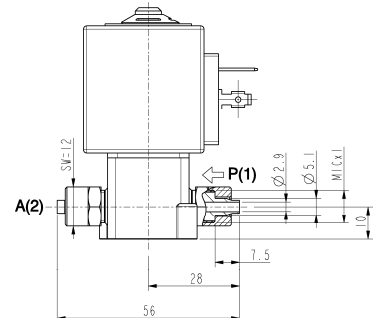
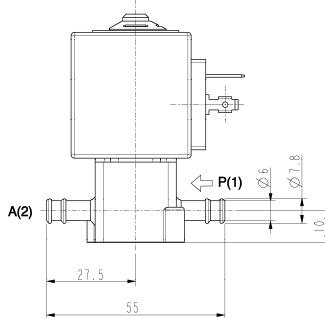
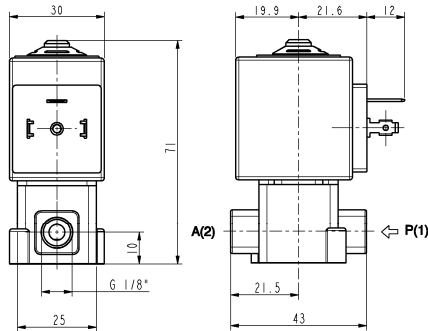
**SOLENOID VALVE**  
**2/2 - NC (Normally closed)**  
**Direct acting**  
**G1/8 - Barbed ports**

**L123**



**L123V02**

**L123V03**



**► GENERAL FEATURES**

Direct acting solenoid valve.  
 Suitable to shut off liquid and gaseous fluids; suitable for low pressure steam and applications in sterilising autoclaves (verify the compatibility of fluid with materials in contact).

**► TECHNICAL FEATURES**

Maximum allowable pressure (PS) 10 bar  
 Opening time ~20ms  
 Closing time ~20ms  
 Fluid temperature 0°C +130°C  
 Max viscosity 5°E (~37 cStokes or mm<sup>2</sup>/s)

**► MATERIALS IN CONTACT WITH FLUID**

Body PPS  
 Sealing FPM  
 Internal components Stainless steel  
 Seat PPS  
 Guide assembly Stainless steel  
 Shading ring Copper

**► COIL**

Continuous duty ED 100%  
 Encapsulation material PET (polyethylene-terephthalate) fiberglass reinforced F (155°C) on request class H (180°C) - UL  
 Coil insulation class F  
 Ambient temperature -10°C +50°C  
 Electric connections DIN 46340 - 3 poles connectors (EN175301-803)  
 Protection degree IP 65 (EN 60529) with plug connector  
 Voltages DC 12-24V (+10% -5%)  
 AC 24V/50Hz - 110V/50Hz (120V/60Hz) - 230V/50Hz (+10% -15%)  
 (Other voltages and frequencies on request).

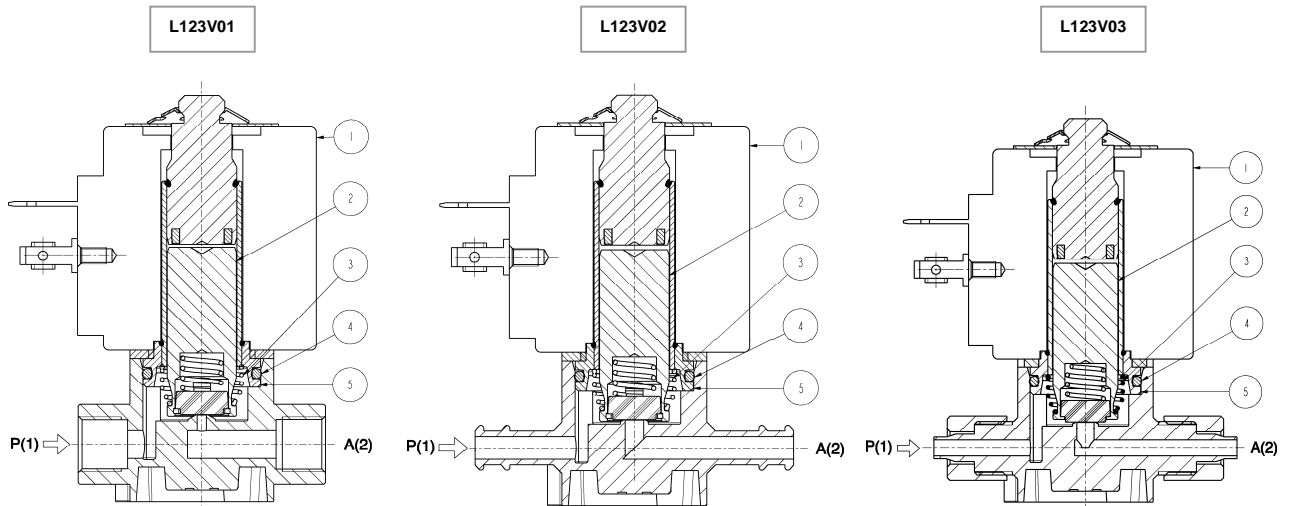
| Port size<br>G-ISO 228        | Orifice size<br>(mm) | Differential pressure (bar) |        |    |    | Kv<br>(m <sup>3</sup> /h) | Series and type |         | Power absorption |        |           | Sealings | Notes | Weight<br>(kg) |         |    |    |   |     |     |       |       |    |    |   |     |       |       |
|-------------------------------|----------------------|-----------------------------|--------|----|----|---------------------------|-----------------|---------|------------------|--------|-----------|----------|-------|----------------|---------|----|----|---|-----|-----|-------|-------|----|----|---|-----|-------|-------|
|                               |                      | Δp min                      | Δp max |    |    |                           | Valve           | Coil    | AC (VA)          |        | DC<br>(W) |          |       |                |         |    |    |   |     |     |       |       |    |    |   |     |       |       |
|                               |                      |                             | AC     | DC | AC |                           |                 |         | DC               | Inrush |           |          |       |                | Holding |    |    |   |     |     |       |       |    |    |   |     |       |       |
| G 1/8                         | 1,6                  | 0                           | 10     | 10 | 10 | 10                        | 0,09            | L123V01 | 23               | 14     | 9         | FPM      | 1-2-3 | 0,220          |         |    |    |   |     |     |       |       |    |    |   |     |       |       |
|                               | 2,3                  |                             | 10     | 10 | 10 | 10                        | 0,15            |         |                  |        |           |          |       |                |         |    |    |   |     |     |       |       |    |    |   |     |       |       |
|                               | 3,2                  |                             | 10     | 4  | 10 | 4                         | 0,25            |         |                  |        |           |          |       |                |         |    |    |   |     |     |       |       |    |    |   |     |       |       |
| Barbed ports                  | 1,6                  |                             | 10     | 10 | 10 | 10                        | 0,09            | L123V02 |                  |        |           |          |       |                | ZA30A   | 23 | 14 | 9 | FPM | 2-3 | 0,220 |       |    |    |   |     |       |       |
|                               | 2,3                  |                             | 10     | 10 | 10 | 10                        | 0,15            |         |                  |        |           |          |       |                |         |    |    |   |     |     |       |       |    |    |   |     |       |       |
|                               | 3,2                  |                             | 10     | 4  | 10 | 4                         | 0,25            |         |                  |        |           |          |       |                |         |    |    |   |     |     |       |       |    |    |   |     |       |       |
| Barbed ports<br>with ring nut | 1,6                  |                             | 10     | 10 | 10 | 10                        | 0,09            | L123V03 |                  |        |           |          |       |                |         |    |    |   |     |     |       | ZA30A | 23 | 14 | 9 | FPM | 2-3-4 | 0,220 |
|                               | 2,3                  |                             | 10     | 10 | 10 | 10                        | 0,12            |         |                  |        |           |          |       |                |         |    |    |   |     |     |       |       |    |    |   |     |       |       |
|                               | 3,2                  |                             | 10     | 4  | 10 | 4                         | 0,15            |         |                  |        |           |          |       |                |         |    |    |   |     |     |       |       |    |    |   |     |       |       |

**► NOTES**

- Sealings : FPM = Fluoro-carbon elastomer
- 1 - Maximum driving torque of the pipe fittings for thread connections = 2Nm
- 2 - Only for use with steam, consider following values: PSmax 2,8 bar (max fluid temperature 130°)
- 3 - The pressure values shown in the table refer to the potential of the valve: they can be lower depending on the connection system used
- 4 - Maximum driving torque of ring nut 1,2Nm

# L123

## ► SPARE PARTS



### Kit description

Core kit

Core return spring kit

O-Ring guide assembly kit

Guide assembly

Coil

### Kit P.N.

G3139401

G3022401

GU2428000017

293628-001R

ZA30A

### Consisting of:

Core pos. 2

N.10 core return spring pos. 3

N.10 O-Ring guide assembly pos. 4

Guide assembly pos. 5

Coil pos.1

## ► MOUNTING

- Solenoid valve can be mounted in any position; vertical with coil upwards preferred.
- When using any sealant for fittings, please check its chemical compatibility with body material (PPS).
- In case of disassembling for usual maintenance, the fixing screws of the guide assembly have to be tightened with  $0,6 \pm 0,7$  Nm torque.