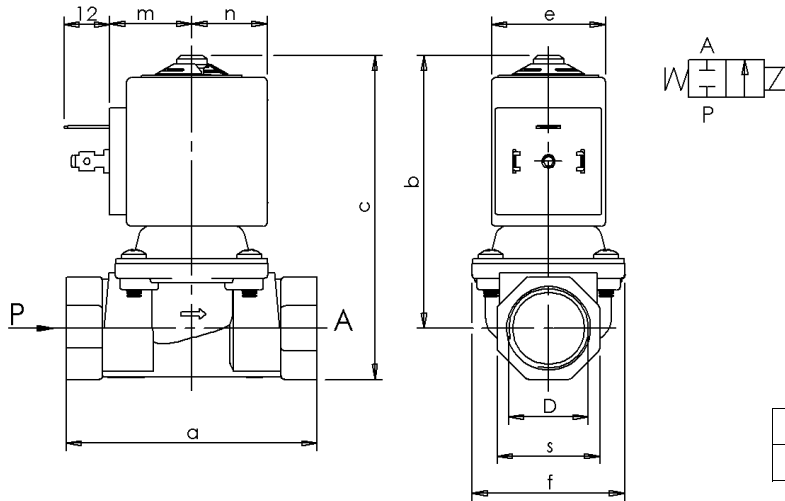




SOLENOID VALVE
2/2 - NC (Normally closed)
Direct acting
G 1/2

L113V27



D	a	b	c	e	f	m	n	s
G 1/2	66	71,5	85	30	40	21	19,9	27

► **GENERAL FEATURES**

Direct acting solenoid valve with full orifice, for low pressure.
 Suitable to shut off liquid and gaseous fluids (verify the compatibility of fluid with materials in contact).

► **TECHNICAL FEATURES**

Maximum allowable pressure (PS) 2 bar
 Opening time ~30ms
 Closing time ~30ms
 Fluid temperature 0°C +130°C
 Max viscosity 5°E (~37 cStokes or mm²/s)

► **MATERIALS IN CONTACT WITH FLUID**

Body Brass chemically nickel coated (Ni-P)
 Sealing FPM
 Internal components Stainless steel and brass (See note 1)
 Seat Brass chemically nickel coated (Ni-P)
 Core tube Stainless steel
 Shading coil Copper chemically nickel coated (Ni-P)

► **COIL**

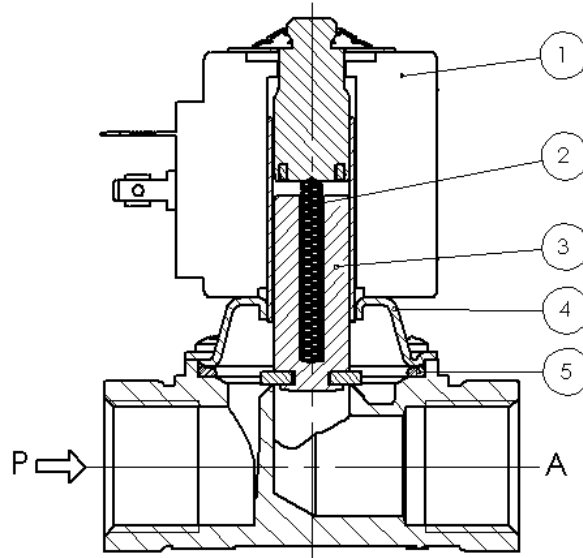
Continuous duty ED 100%
 Encapsulation material PET (polyethylene-terephthalate) fiberglass reinforced
 Insulation class F (155°C) on request class H (180°C) - UL
 Ambient temperature -10°C +50°C
 Electric connections DIN 46340 - 3 poles connectors (EN175301-803)
 Protection degree IP 65 (EN 60529) with plug connector
 Voltages AC 24V/50Hz - 110V/50Hz (120V/60Hz) - 230V/50Hz (+10% -15%)
 (Other voltages on request).

Port size ISO 228	Orifice size (mm)	Differential pressure (bar)						Kv (m ³ /h)	Series and type		Power absorption			Sealings	Function Notes	Weight (kg)
		Δp min	Δp max				Valve		Coil	AC (VA)		DC (W)				
			Gases		Liquids					Inrush	Holding					
			AC	DC	AC	DC										
G 1/2	12	0	0,20	-	0,20	-	2	L113V27	ZA30A	23	14	-	FPM	1	0,400	

► **NOTES**

- Sealings : FPM = Fluoro-carbon elastomer
 1 - Body, core and plugnut chemically nickel coated (Ni-P)

► SPARE PARTS



Kit description	Kit P.N.	Consisting of:
Core kit	G3127803	Core pos.3 Core return spring pos.2 OR guide assembly pos. 5
Guide pipe assembly	3104103R	Guide pipe assembly pos. 4
Coil	ZA30A	Coil pos. 1

► INSTALLATION

Solenoid valve can be mounted in any position; vertical with coil upwards preferred.