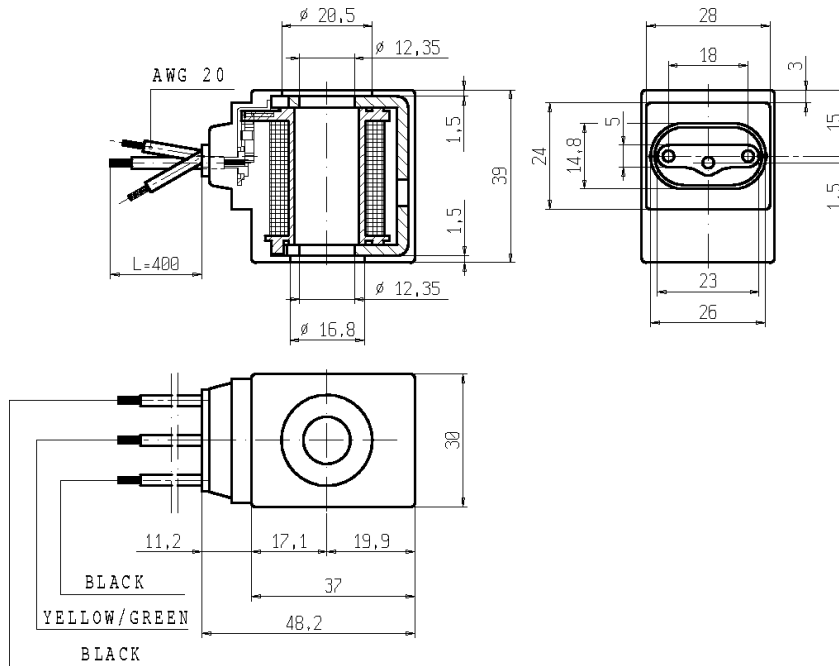




COIL - FLYING LEADS
Series ZA35A

ZA35A

ISO 9001



NON STANDARD

FEATURES - Rated for continuous duty (ED 100%) in alternate current (AC) or direct current (DC). Vacuum impregnated winding by polyester resin, insulation class and encapsulation material as per table.

AMBIENT TEMPERATURE - -10°C +50°C

PROTECTION DEGREE - IP66, according to EN 60529 standard.

ELECTRIC CONNECTIONS - N° 3 wires AWG 20 (2 line + earth) length 400mm.

STANDARD VOLTAGES - Alternate current (AC) 24V/50Hz – 110V/50Hz (120V/60Hz) - 230V/50Hz.
 - Direct current (DC) 12-24V.

TOLERANCE - +10% -15% AC and +10% -5% DC

TYPE	MAIN FEATURES	POWER ABSORPTION			NOTES	WEIGHT (kg)
		AC (VA)		DC (W)		
		Inrush	Holding			
ZA35A	- Class "F" (+155°C) - Wires in class "H" (+180°C) - Glass fibre reinforced PBT (polybutylene-terephthalate) encapsulation (blue color)	23	14	9	-	0,145

NOTES - Other voltages on request.

NB - LA VALIDITE DES DONNEES INDIQUEES SE REFERE A LA DATE D'EMISSION. EVENTUELLES MISES A JOUR DISPONIBLES SUR DEMANDE