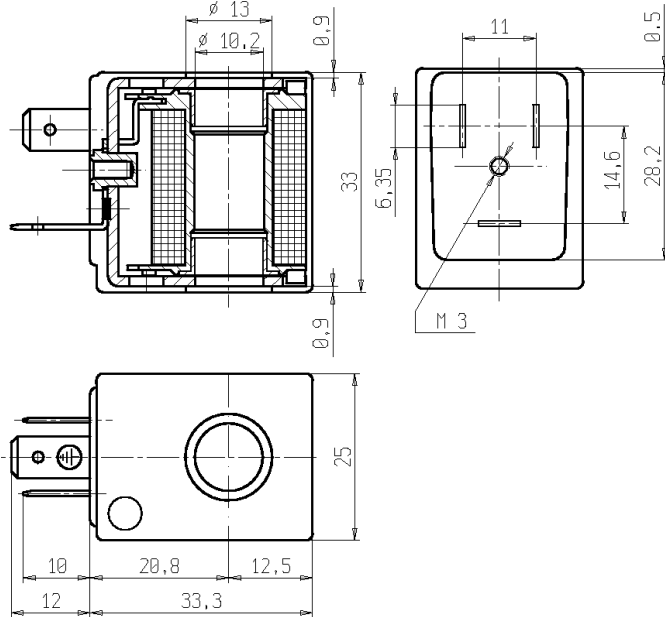




COIL - SPADE TERMINALS - DIN 46340
Series Z610A - Z610D - Z614A

Z6..

ISO 9001



FEATURES - Rated for continuous duty in alternate current (AC) or direct current (DC). Winding vacuum impregnated by polyester resin. Insulation class and encapsulation material as per table.

AMBIENT TEMPERATURE - As per table.

PROTECTION DEGREE - IP65, according to EN 60529 standard, if the coil is duly fitted with its plug connector.

ELECTRIC CONNECTIONS - Spade terminals 6,3 x 0,8 (DIN46340), 2 line + 1 earth terminals or 3 poles connector (DIN 43650).

STANDARD VOLTAGES - Z610A : Alternate current (AC) 24-110-220-230/50-60Hz. Direct current (DC) 12-24V
 - Z614A : Alternate current (AC) 24-110 (120/60Hz) - 230V/50Hz. Direct current (DC) 24V

TOLERANCE - +10% -15% AC and +10% -5% DC

TYPE	MAIN FEATURES	POWER ABSORPTION			AMBIENT TEMPERATURE	NOTES	WEIGHT (kg)
		AC (VA)		DC (W)			
		Inrush	Holding				
Z610A	- Class "F" (+155°C) - Wires in class "H" (+180°C) - Glass fibre reinforced PBT (polybutylene-terephthalate) encapsulation (blue colour)	16	10	6	-10°C +60°C	1	0,080
Z610D	- Class "F" (+155°C) - Wires in class "H" (+180°C) - Glass fibre reinforced PBT (polybutylene-terephthalate) encapsulation (blue colour)	14	7,5	4,5		-	
Z614A	- Class "H" (+180°C) - Glass fibre reinforced PPS (Polyphenylene-sulfide) encapsulation (black colour)	16	10	6	-10°C +80°C	2	

NOTES - Other voltages and frequencies on request.
 1 - SEV-ASE APPROVAL (93.1 00486.20)
 2 - UL APPROVAL (E153691)

NB - THE VALIDITY OF REPORTED DATA IS REFERRED TO THE DATE OF ISSUE. POSSIBLE UPDATING ARE AVAILABLE ON REQUEST