

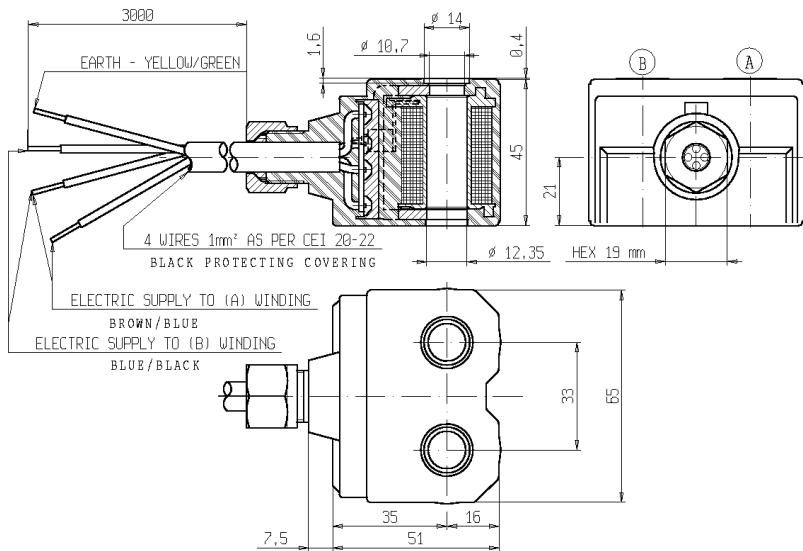


COIL - FLYING LEADS
Series Z598U

Z598U

ISO 9001

NON STANDARD



FEATURES - Model for potentially explosive atmospheres. Code EEXm II CT4. Two windings encapsulated in a single body with 4 flying leads (3 poles+earth) collected in one cable. The coil has two separate independent electric supplies. Winding vacuum impregnated by polyester resin. Rectifier bridge and varistor for suppression of de-energizing over voltages are built-in.

AMBIENT TEMPERATURE - -40°C +80°C

PROTECTION DEGREE - IP65, according to EN 60529 standard, if the coil is duly assembled on the valve, with OR seal.

ELECTRIC CONNECTIONS - Cable with 4 wires 1 mm² in compliance with CEI 20-22 standards.

STANDARD VOLTAGES - Alternate current (AC) 12-24-48-110-220-230-240V/50-60Hz.

VOLTAGE TOLERANCE +10% -15% .

TYPE	MAIN FEATURES	POWER ABSORPTION			NOTE	WEIGHT (kg)
		AC (VA)		DC (W)		
		Inrush	Holding			
Z598U	- Class "F" (+155°C) - Winding: Wires in class "H" (+180°C) - glass fibre reinforced PBT (polybutylene- terephthalate) encapsulation (black colour)	-	-	9+9	-	0,750

NOTES - Other voltages and frequencies on request.

NB - THE VALIDITY OF REPORTED DATA IS REFERRED TO THE DATE OF ISSUE. POSSIBLE UPDATING ARE AVAILABLE ON REQUEST