



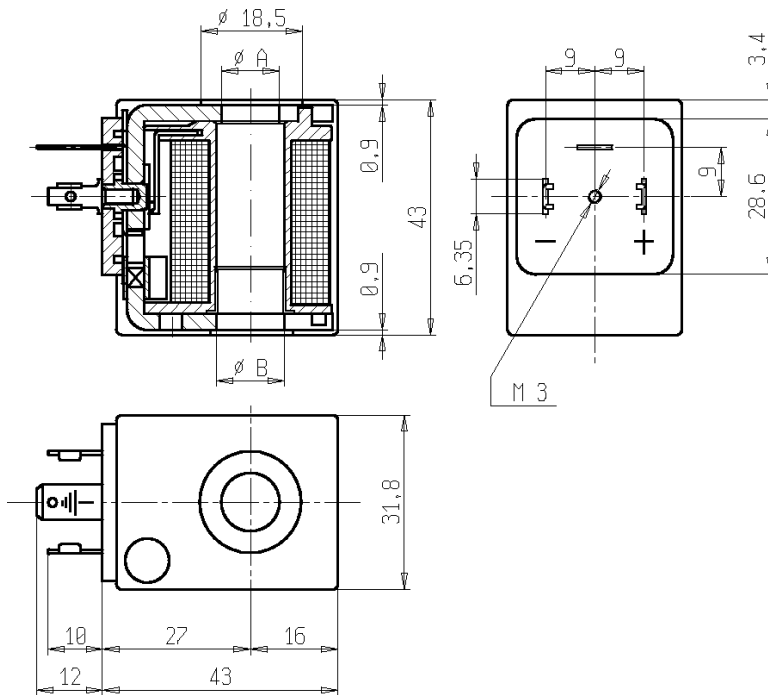
COIL – SPADE TERMINALS - DIN 46340
Series Z570..

Z570..

Latching model

ISO 9001

NON STANDARD



FEATURES - Rated for direct current (DC) only. Winding vacuum impregnated by polyester resin, insulation class and encapsulation material as per table.

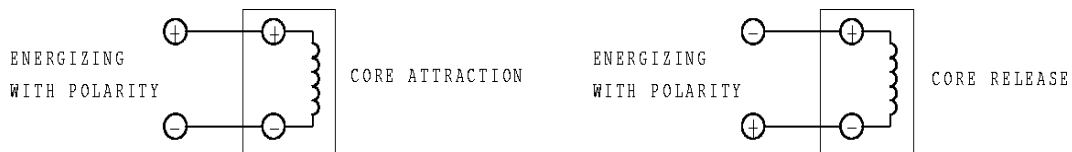
AMBIENT TEMPERATURE - -10°C $+60^{\circ}\text{C}$

PROTECTION DEGREE - IP65, according to EN 60529 standard, if the coil is duly fitted with its plug connector.

ELECTRIC CONNECTIONS - Spade terminals 6,3 x 0,8 (DIN46340), 2 line + 1 earth terminals or 3 poles connector (DIN 43650).

STANDARD VOLTAGES - Direct current (DC) 6-12 V.

TOLERANCE +10% -10%



TYPE	MAIN FEATURES	POWER ABSORPTION			HOLES		WEIGHT (kg)
		AC (VA)		DC (W)	ϕA	ϕB	
		Inrush	Holding				
Z570A	- Class "A" (+105°C) - Wires in class "H" (+180°C)	-	-	6	10,7	12,35	0,195
Z570C	- PP-V0 (Self-extinguishing polypropylene) encapsulation (blue colour)			3			

NOTES - Other voltages on request.

NB - THE VALIDITY OF REPORTED DATA IS REFERRED TO THE DATE OF ISSUE. POSSIBLE UPDATING ARE AVAILABLE ON REQUEST