

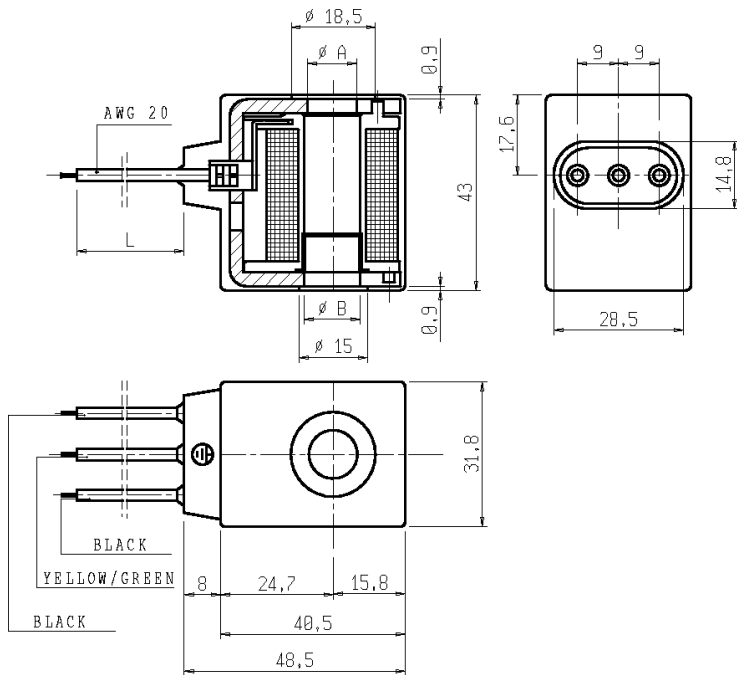


**COIL - FLYING LEADS**  
**Series Z515A - Z535A – Z535Y**

**Z515..- Z535..**

**ISO 9001**

**NON STANDARD**



**FEATURES** - Rated for continuous duty (ED 100%) in alternate current (AC) or direct current (DC). Vacuum impregnated winding by polyester resin, insulation class and encapsulation material as per table.

**AMBIENT TEMPERATURE** - -10°C +60°C

**PROTECTION DEGREE** - IP66, according to EN 60529 standard.

**ELECTRIC CONNECTIONS** - N° 3 wires AWG 20 (2 line + earth ) length as per table.

**STANDARD VOLTAGES** - Alternate current (AC) 24V/50Hz – 110V/50Hz (120V/60Hz) - 230V/50Hz.  
 - Direct current (DC) 12-24V.

**TOLERANCE**- +10% -15% AC and +10% -5% DC

TYPE	MAIN FEATURES	POWER ABSORPTION			Cable free length L	HOLES		NOTES	WEIGHT (kg)
		AC (VA)		DC (W)		Ø A	Ø B		
		Inrush	Holding						
Z515A	- Class "F" (+155°C) - Wires in class "H" (+180°C) - Glass fibre reinforced PBT (polybutylene-terephthalate) encapsulation (blue color)	23	14	9	400	12,35	12,35	-	0,205
Z535A						10,7	12,35		
Z535Y					1250				

**NOTES** - Other voltages on request.

NB - THE VALIDITY OF REPORTED DATA IS REFERRED TO THE DATE OF ISSUE. POSSIBLE UPDATING ARE AVAILABLE ON REQUEST