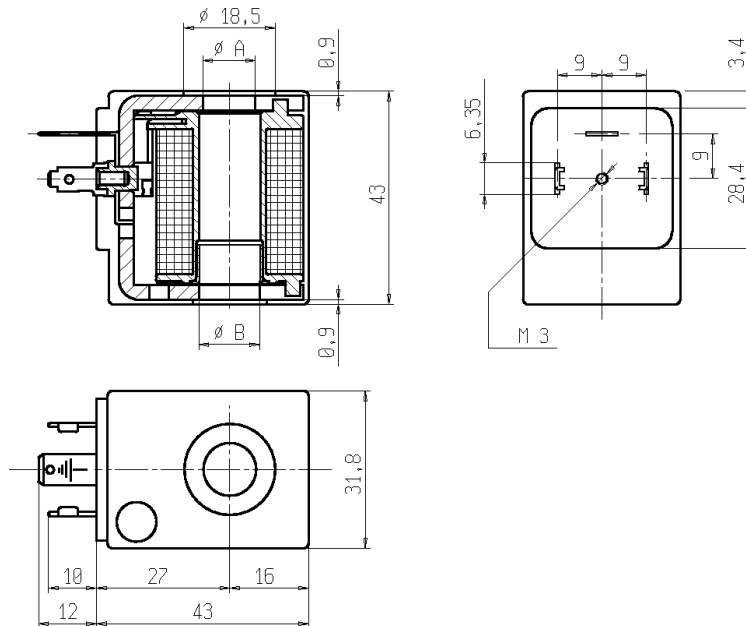




COIL - SPADE TERMINALS - DIN 46340
Series Z510A - Z530A - Z534A

Z5..

ISO 9001



FEATURES - Rated for continuous duty (ED 100%) in alternate current (AC) or direct current (DC). Vacuum impregnated winding by polyester resin, insulation class and encapsulation material as per table.

AMBIENT TEMPERATURE - As per table.

PROTECTION DEGREE - IP65 , according to EN 60529 standard, if the coil is duly fitted with its plug connector.

ELECTRIC CONNECTIONS - Spade terminals 6,3 x 0,8 (DIN46340), 2 line + 1 earth terminals or 3 poles connector (DIN 43650).

STANDARD VOLTAGES - Alternate current (AC) 24V/50Hz – 110V/50Hz (120V/60Hz) - 230V/50Hz.
 - Direct current (DC) 12-24 V .

TOLERANCE - +10% -15% AC and +10% -5% DC

TYPE	MAIN FEATURES	POWER ABSORPTION			AMBIENT TEMPERATURE	HOLES		NOTES	WEIGHT (kg)
		AC (VA)		DC (W)		Ø A	Ø B		
		Inrush	Holding						
Z510A	- Class "F" (+155°C) - Wires in class "H" (+180°C) - Glass fibre reinforced PBT (polybutylene-terephthalate) encapsulation (blue colour)	23	14	9	-10°C +60°C	12,35	12,35	1	0,200
Z530A						10,7	12,35	1-3	
Z514A	- Class "H" (+180°C) - Glass fibre reinforced PPS (Polyphenylene-sulfide) encapsulation (black colour)	23	14	9	-10°C +80°	12,35	12,35	-	
Z534A						10,7	12,35	1-2	

NOTES - Other voltages and frequencies on request.
 1 - SEV-ASE APPROVAL (93.1 00486.16)
 2 - UL APPROVAL (E153691)
 3 - IMQ APPROVAL

NB - THE VALIDITY OF REPORTED DATA IS REFERRED TO THE DATE OF ISSUE. POSSIBLE UPDATING ARE AVAILABLE ON REQUEST