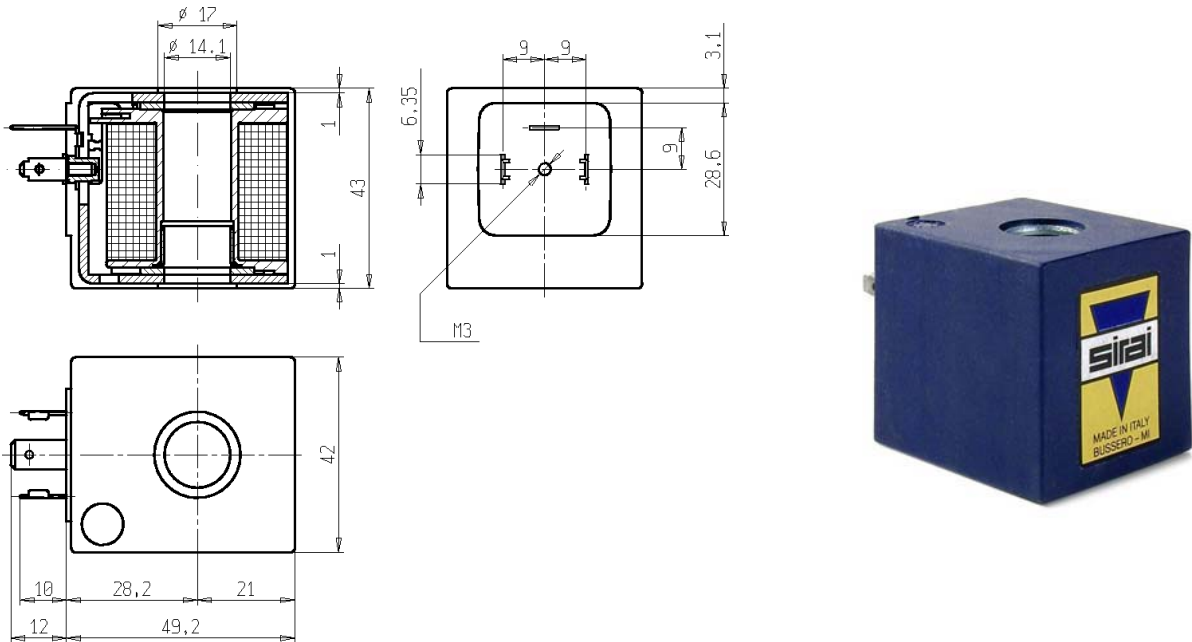




**COIL - SPADE TERMINALS - DIN 46340**  
**Series Z110A - Z110C - Z114A**

**Z1..**

**ISO 9001**



**FEATURES** - Rated for continuous duty in alternate current (AC) or direct current (DC). Winding vacuum impregnated by polyester resin. Insulation class and encapsulation material as per table.

**AMBIENT TEMPERATURE** - As per table.

**PROTECTION DEGREE** - IP65 , according to EN 60529 standard, if the coil is duly fitted with its plug connector.

**ELECTRIC CONNECTIONS** - Spade terminals 6,3 x 0,8 (DIN46340), 2 line + 1 earth terminals or 3 poles connector (DIN 43650).

**STANDARD VOLTAGES** - Alternate current (AC) 24V/50Hz – 110V/50Hz (120V/60Hz) - 230V/50Hz.  
 - Direct current (DC) 12 - 24 V .

**TOLERANCE** - +10% -15% AC and +10% -5% DC

TYPE	MAIN FEATURES	POWER ABSORPTION			AMBIENT TEMPERATURE	NOTES	WEIGHT (kg)
		AC (VA)		DC (W)			
		Inrush	Holding				
Z110A	- Class "F" (+155°C) - Wires in class "H" (+180°C) - Glass fibre reinforced PBT (polybutylene-terephthalate) encapsulation (blue colour)	44	24	13	-10°C +60°C	1	0,290
Z110C	-	-	6,5	-			
Z114A	- Class "H" (+180°C) - Glass fibre reinforced PPS (Polyphenylene-sulfide) encapsulation (black colour)	44	24	13	-10°C +80°C	2	

**NOTES** - Other voltages and frequencies on request.  
 1 - SEV-ASE APPROVAL (00.2048)  
 2 - UL APPROVAL (E153691)

NB - THE VALIDITY OF REPORTED DATA IS REFERRED TO THE DATE OF ISSUE. POSSIBLE UPDATING ARE AVAILABLE ON REQUEST