



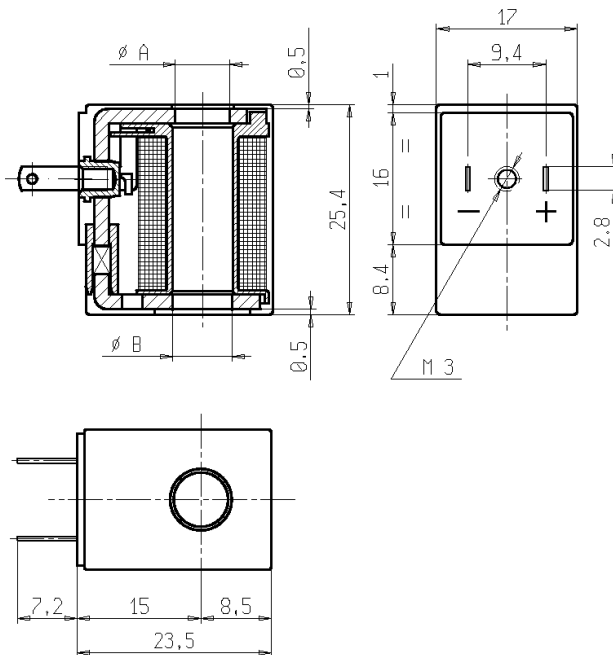
COIL - SPADE TERMINALS - DIN 46340
Series Z070..

Z070..

Latching model

ISO 9001

NON STANDARD



FEATURES - Rated for direct current (DC) only. Vacuum impregnated winding by polyester resin, insulation class and encapsulation material as per table.

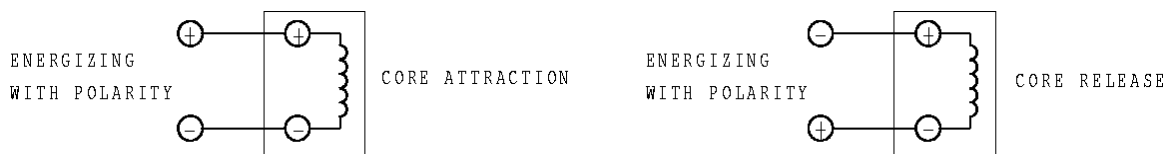
AMBIENT TEMPERATURE - -10°C +60°C

PROTECTION DEGREE - IP65, according to EN 60529 standard, if the coil is duly fitted with its plug connector.

ELECTRIC CONNECTIONS - 2 line spade terminals 2,8 x 0,5 (DIN46340) or micro plug connector.

STANDARD VOLTAGES - Direct current (DC) 6-12-V.

TOLERANCE +10% -10%



TYPE	MAIN FEATURES	POWER ABSORPTION			HOLES		NOTES	WEIGHT (kg)
		AC (VA)		DC (W)	ϕA	ϕB		
		Inrush	Holding					
Z070A	- Class "A" (+105°C) - Wires in class "H" (+180°C) - PP-V0 (self-extinguishing Polypropylene) encapsulation (blue colour)	-	-	3	6,5	7,2	-	0,035
Z070B				1				
Z070D				2				
Z070E				4				
Z070L				0,5				

NOTES - Other voltages on request.
 - SEV-ASE APPROVAL (CH-99.1 10238.ZA1A).

NB - THE VALIDITY OF REPORTED DATA IS REFERRED TO THE DATE OF ISSUE. POSSIBLE UPDATING ARE AVAILABLE ON REQUEST