

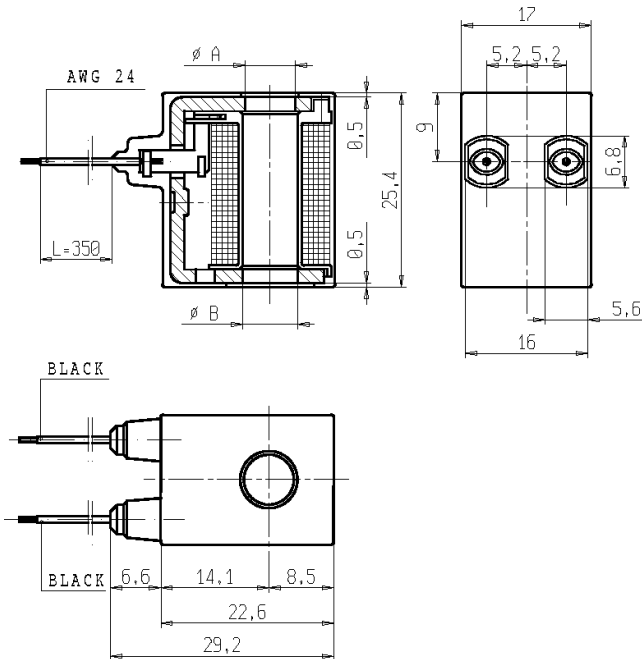


COIL - FLYING LEADS
Series Z035..

Z035..

ISO 9001

NON STANDARD



FEATURES - Rated for continuous duty in alternate current (AC) or direct current (DC). Vacuum impregnated winding by polyester resin, insulation class and encapsulation material as per table.

AMBIENT TEMPERATURE - -10°C +60°C.

PROTECTION DEGREE - IP66 , according to EN 60529 standard.

ELECTRIC CONNECTIONS - N° 2 wires AWG 24 length 350 mm.

STANDARD VOLTAGES - Alternate current (AC) 24V/50Hz - Direct current (DC) 12-24V

TOLERANCE - +10% -15% AC and +10% -5% DC

TYPE	MAIN FEATURES	POWER ABSORPTION			HOLES		NOTES	WEIGHT (kg)	
		AC (VA)		DC (W)	ØA	ØB			
		Inrush	Holding						
Z035A	- Class "F" (+155°C) - Wires in class "H" (+180°C) - Glass fibre reinforced PBT (polybutylene-terephthalate) encapsulation (blue colour)	6	5	4	6,5	7,2	-	0,035	
Z035B		-	-	1					
Z035C		4	3	2,5					
Z035D		-	-	3					1
Z035F		-	-	6					
Z035H		-	-	8					

NOTES - Other voltages and frequencies on request.
 - SEV-ASE APPROVAL (CH-99.1 10238.ZA1A.)
 1 - Coil for discontinuous duty ED according to use.

NB - THE VALIDITY OF REPORTED DATA IS REFERRED TO THE DATE OF ISSUE. POSSIBLE UPDATING ARE AVAILABLE ON REQUEST