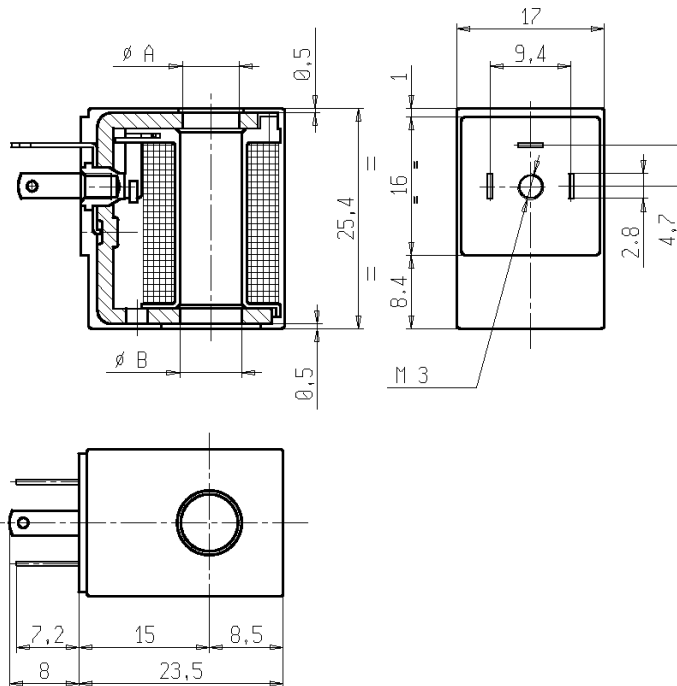




COIL - SPADE TERMINALS - DIN 46340
Series Z030..

Z030..

ISO 9001



FEATURES - Rated for continuous duty in alternate current (AC) or direct current (DC). Vacuum impregnated winding by polyester resin, insulation class and encapsulation material as per table.

AMBIENT TEMPERATURE - -10°C $+60^{\circ}\text{C}$.

PROTECTION DEGREE - IP65, according to EN 60529 standard, if the coil is duly fitted with its micro-connector.

ELECTRIC CONNECTIONS - Spade terminals 2,8 x 0,5 (DIN46340), 2 line + 1 earth terminals or 3 poles micro plug connector.

STANDARD VOLTAGES - Alternate current (AC) 24V/50Hz - Direct current (DC) 12-24V

TOLERANCE - $+10\%$ -15% AC and $+10\%$ -5% DC

TYPE	MAIN FEATURES	POWER ABSORPTION			HOLES		NOTES	WEIGHT (kg)	
		AC (VA)		DC (W)	$\varnothing A$	$\varnothing B$			
		Inrush	Holding						
Z030A	- Class "F" ($+155^{\circ}\text{C}$) - Wires in class "H" ($+180^{\circ}\text{C}$) - Glass fibre reinforced PBT (polybutylene-terephthalate) encapsulation (blue colour)	6	5	4	6,5	7,2	-	0,030	
Z030B		-	-	1					
Z030C		4	3	2,5					
Z030F		-	-	6					1
Z030H		-	-	8					
Z030L		-	-	0,5					

NOTES - Other voltages and frequencies on request.
 - SEV-ASE APPROVAL (CH-99.1 10238.ZA1A)
 1 - Coil for discontinuous duty, ED according to use.

NB - THE VALIDITY OF REPORTED DATA IS REFERRED TO THE DATE OF ISSUE. POSSIBLE UPDATING ARE AVAILABLE ON REQUEST