



3/2 - MICRO SOLENOID VALVE

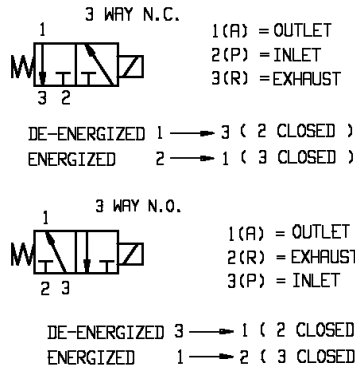
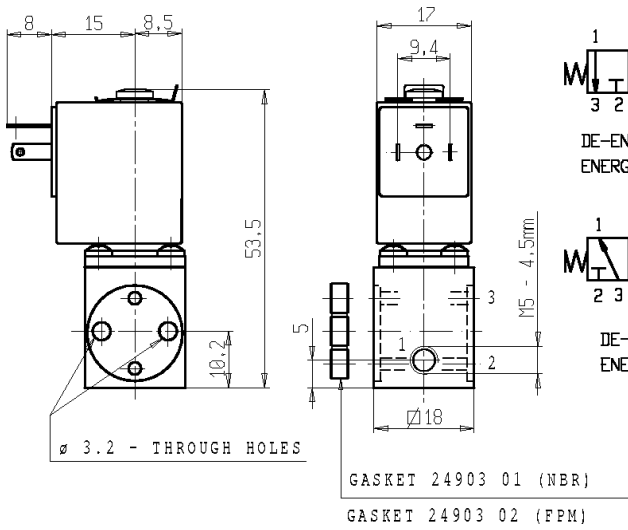
Normally closed (N.C.) - Normally open (N.O.)

Series **V366** - Coil Z030A - Port size: outlet M5

V366

Mounting in banks

ISO 9001



NON STANDARD

FEATURES - Direct acting micro solenoid valve, minimum overall dimensions, quick response time and high number of cycles. Designed to shut off liquid and gaseous media compatible with valve materials. Designed for mounting in banks: inlet and exhaust machined into body valve as two through holes so to get banks with common inlet, piped exhaust and single independent outlets. Seal gasket for coupling supplied with the valve. Inlet and closing group with relative gasket supplied separately. For further information see the mounting scheme K29684.

MOUNTING - In any position, vertical with coil upwards preferred.

VALVE- Brass body and guide assembly. Internal parts in brass, PEI (Polyetherimide) and stainless steel. Seals as per table. Medium temperature from -10°C to +90°C (NBR), from 0°C to +90°C (FPM). Viscosity max 3 E° (~22 cStokes or mm²/s). Opening time from ~5ms to ~10ms. Closing time from ~5ms to ~10ms.

COIL - Rated for continuous duty in AC (alternate current) or DC (direct current). Coil in class "F" (+155°C) wound by class "H" wires (+180°C) vacuum impregnated by polyester resin and encapsulated into glass fibre reinforced PBT (polybutylene-terephthalate). Ambient temperature from -10°C to +60°C.

Standard voltages 24V/50Hz AC and 12-24 V DC.
Voltage tolerance +10% -15% AC and +10% -5% DC.

Electric plug connection (DIN 46340) or for 3 poles micro-connector.

Protection degree IP65 as per EN 60529 if the coil is duly fitted with its micro-connector.

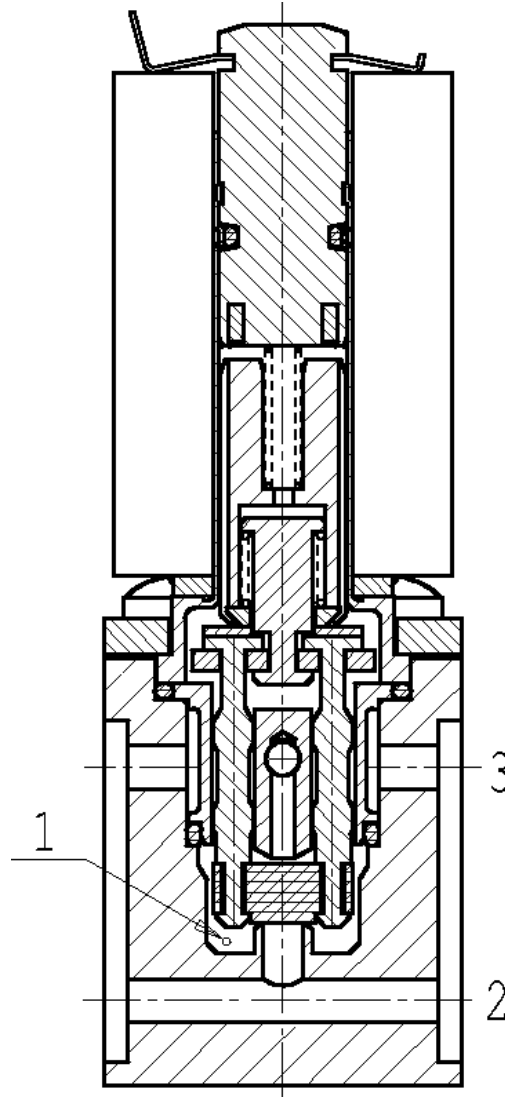
Port size ISO UNI 4534	Orifice size (mm)	Max pressure (bar)				Kv (m³/h)	Series and type		Power absorption			Seals	Use Notes	Weight (kg)
		Gases		Liquids			Valve	Coil	AC (VA)		DC (W)			
		AC	DC	AC	DC				Inrush	Holding				
Outlet M5	1,2	6	6	6	6	0,04	V366B01B	Z030A	6	5	4	NBR	N.C. N.O.	0,090
						V366V01B	FPM							
	2	2,5	2,5	2,5	2,5	0,08	V366B01C					NBR	N.C.	

NOTES

- These micro-solenoid valves are not suitable for stagnating media subject to vaporization which deposit solid, calcareous, incrustant residues or similar.
- Seal: NBR = Nitrile-butylene elastomer FPM = Fluoro-carbon elastomer
- Other voltages and frequencies on request: the windings in AC are designed for maximum voltage 24 V .

SECTIONAL VIEW

Series V366



NON STANDARD

NB - THE VALIDITY OF REPORTED DATA IS REFERRED TO THE DATE OF ISSUE. POSSIBLE UPDATING ARE AVAILABLE ON REQUEST