



2/2 - MICRO SOLENOID VALVE

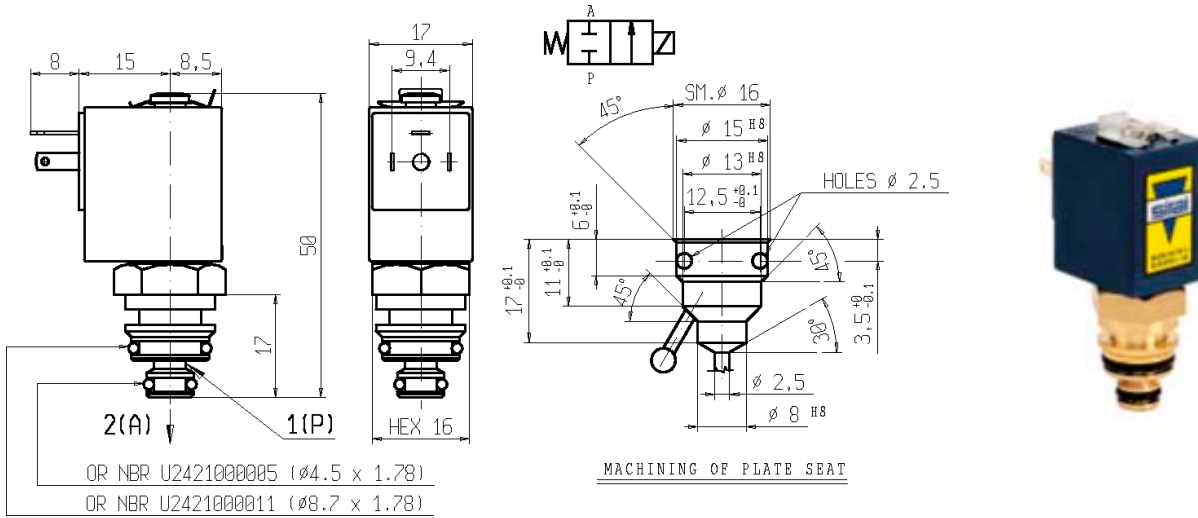
Normally closed (N.C.)

Series **V11201** - Coil Z030A

V11201

Plug-in model

ISO 9001



NON STANDARD

FEATURES - Direct acting micro-solenoid valves suitable to be plugged in directly on plate or on the user. Minimum overall dimensions, quick response time and high number of cycles. Suitable to shut off liquid and gaseous media compatible with the construction materials.

MOUNTING - First the plate or the user has to be machined as per drawing above. In any position, vertical with coil upwards preferred.

VALVE - Brass body. Internal parts in stainless steel and guide pipe in brass. Seals as per table. Fluid temperature from -10°C to +90°C. Viscosity max 3°E (~22cStokes or mm²/s). Opening time from ~5ms to ~10ms. Closing time from ~5ms to ~10 ms.

COIL - Rated for continuous duty only in DC (direct current). Coil in class "F" (+155°C) wound by class "H" wires (+180°C) vacuum impregnated by polyester resin encapsulated into glass fibre reinforced PBT (polybutylene-terephthalate).

Ambient temperature from -10°C to +60°C.

Standard voltages 12-24V DC.

Voltage tolerance +10% -5%.

Electric plug connection (DIN 46340) or for 3 poles micro-connector.

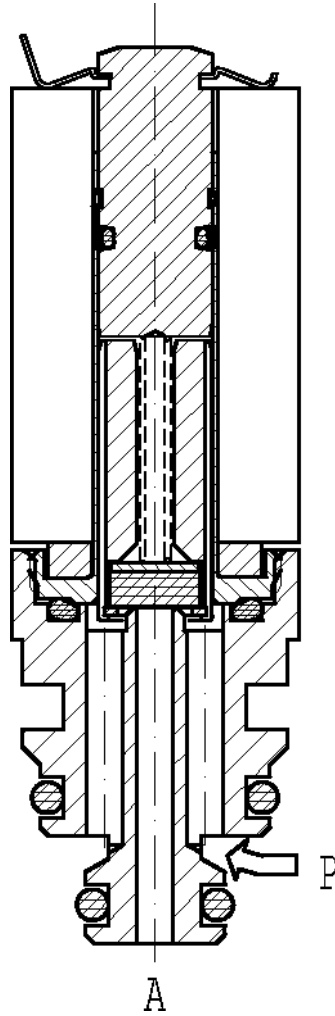
Protection degree IP65 as per EN 60529 if the coil is duly fitted with its plug micro-connector.

| Port-size | Orifice size (mm) | Max pressure (bar) | | | | Kv (m³/h) | Series and type | | Power absorption | | | Seals | Notes | Weight (kg) |
|-----------|-------------------|--------------------|----|---------|----|-----------|-----------------|-------|------------------|---------|--------|-------|-------|-------------|
| | | Gases | | Liquids | | | Valve | Coil | AC (VA) | | DC (W) | | | |
| | | AC | DC | AC | DC | | | | Inrush | Holding | | | | |
| - | 2 | - | 5 | - | 3 | 0,10 | V112 01 | Z030A | - | - | 4 | NBR | - | 0,050 |

- NOTES**
- These micro-solenoid valves are not suitable for stagnating fluids subjected to vaporization, depositing solids, calcareous, incrustant residues or similars.
 - Seal: NBR = Nitrile-butylene elastomer
 - Other voltages on request.

SECTIONAL VIEW

Séries V11201



NB - THE VALIDITY OF REPORTED DATA IS REFERRED TO THE DATE OF ISSUE. POSSIBLE UPDATING ARE AVAILABLE ON REQUEST