



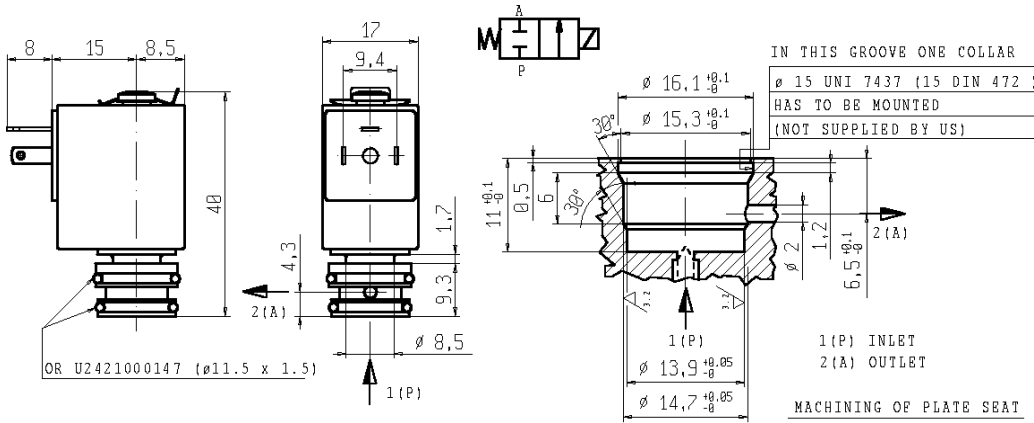
V105₀₆

2/2 – MICRO SOLENOID VALVE - Normally closed (N.C.)
Series V105 06 - Coil Z030A

Plug-in model

ISO 9001

NON STANDARD



FEATURES - Direct acting micro solenoid valve, designed to be plugged either in a plate or directly in the user. Minimum overall dimensions, quick response time and high number of cycles. Designed to shut off liquid and gaseous media compatible with valve materials.

MOUNTING - First the plate or the user has to be machined as per drawing above. In any position, vertical with coil upwards preferred.

VALVE - Brass body. Internal parts in stainless steel and guide assembly in nichel plated brass (Ni-P). Seals as per table. Medium temperature from -10°C to +90°C. Viscosity max 3 E° (~22 cStokes or mm²/s). Opening time from ~5ms to ~10ms. Closing time from ~5ms to ~10ms.

COIL - Rated for continuous duty only in DC (direct current). Coil in class "F" (+155°C) wound by class "H" wires (+180°C) vacuum impregnated by polyester resin and encapsulated into glass fibre reinforced PBT (polybutylene-terephthalate). Ambient temperature from -10°C to +60°C. Standard voltages 12-24 V DC. Voltage tolerance +10% -5%. Electric plug connection (DIN 46340) or for 3 poles micro-connector. Protection degree IP65 as per EN 60529 if the coil is duly fitted with its micro-connector.

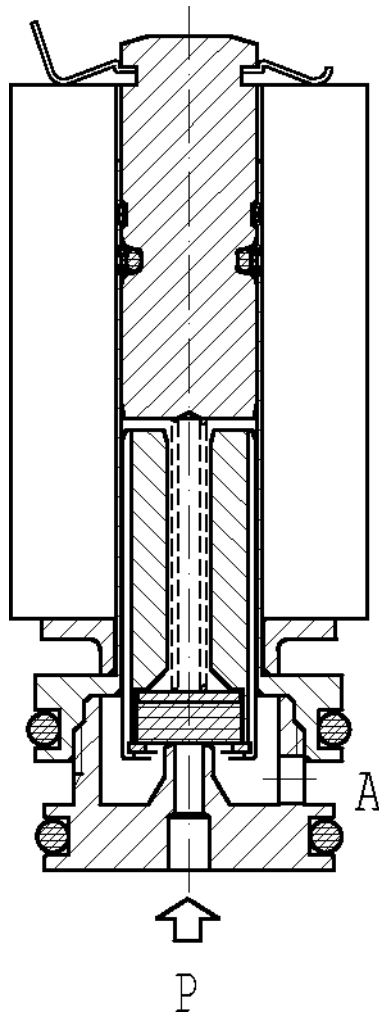
Port-size	Orifice size (mm)	Max pressure (bar)				Kv (m ³ /h)	Series and type		Power absorption			Seals	Notes	Weight (kg)
		Gases		Liquids			Valve	Coil	AC (VA)		DC (W)			
		AC	DC	AC	DC				Inrush	Holding				
-	1,3	-	7,5	-	7,5	0,05	V105 06	Z030A	-	-	4	NBR	-	0,050

- NOTES**
- These micro-solenoid valves are not suitable for stagnating media subject to vaporization which deposit solid, calcareous, incrustant residues or similar.
 - Seal: NBR = Nitrile-butylene elastomer.
 - Other voltages and frequencies on request.

97070012

SECTIONAL VIEW

Series V105



NB - THE VALIDITY OF REPORTED DATA IS REFERRED TO THE DATE OF ISSUE. POSSIBLE UPDATING ARE AVAILABLE ON REQUEST