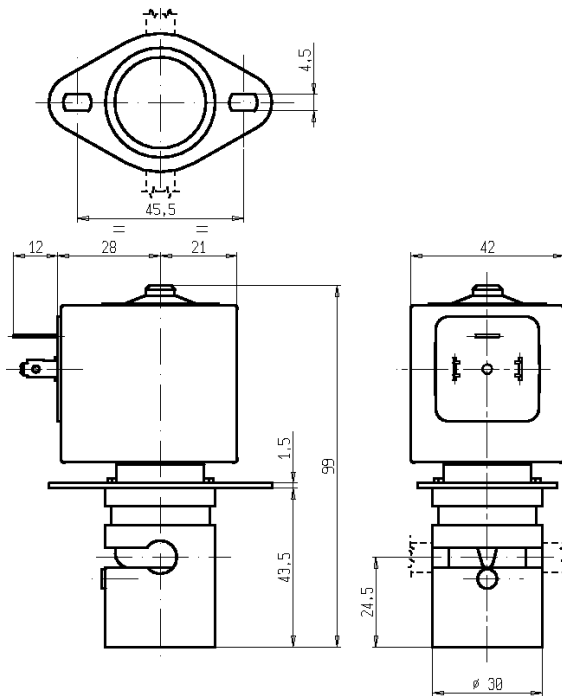




## 2/2 - PINCH SOLENOID VALVE - Normally closed (N.C.)

### Series S106 - Coil Z110A

ISO 9001



**FEATURES** - Suitable to shut off media without producing neither turbulent flows nor dead spaces. High flow rate under the same conditions of internal diameter of different solenoid valves. The tubing is the only material in contact with the fluid; the system allows a bi-directional through flow. The valves are suitable for soft silicone tubings or others, similar as to elasticity and hardness (50 shore A). The tubings are not included in our supply.

**MOUNTING** - In any position, vertical with coil upwards preferred.

**VALVE** - Anodized aluminium body and pinching device in POM (acetal copolymer, graphite reinforced). Both internal parts and actuator in stainless steel.

**COIL** - Rated for continuous duty suitable in DC (direct current) only. Coil in class "F" (+155°C) wound by class "H" wires (+180°C) vacuum impregnated by polyester resin and encapsulated into glass fibre reinforced PBT (polybutylene-terephthalate). Ambient temperature from -10°C to +60°C.

Standard voltages: 12-24 V DC.

Voltage tolerance: +10% -5%.

Electric connections suitable for either quick connectors (DIN 46340) or 3 poles plug connectors (DIN 43650).

Protection degree IP65 as per EN 60529 if the coil is duly fitted with its plug connector.

TUBINGS		Pinching strenght (kg)	Series and type		Power Absorption (W)	Notes	Weight (kg)
I.D. (mm)	O.D. (mm)		Valve	Coil			
4,8	7,9	1,100	S106 04	Z110A	13	-	0,440
6,4	9,5	1,400	S106 05				

**NOTES** - Other voltages on request.

- For the use of a soft tubing with outside diameter smaller than 6mm it is necessary to install the tubing guide sleeve (drawing K29501).