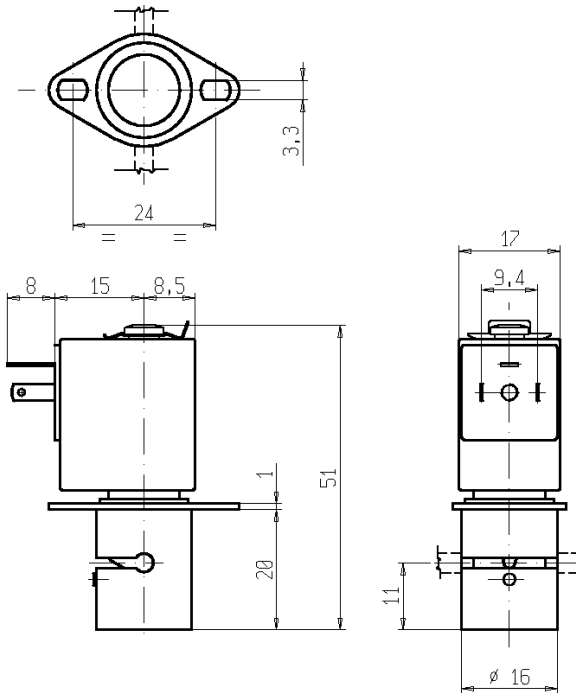




2/2 - PINCH MICRO SOLENOID VALVE - Normally closed (N.C.) Series S104 - Coil Z030A

ISO 9001



FEATURES - Suitable to shut off media without producing neither turbulent flows nor dead spaces. High flow rate under the same conditions of internal diameter of different solenoid valves. The tubing is the only material in contact with the fluid; the system allows a bi-directional through flow. The valves are suitable for soft silicone tubings or others, similar as to elasticity and hardness (50 shore A). The tubings are not included in our supply. Silent model.

MOUNTING - In any position, vertical with coil upwards preferred.

VALVE - Anodized aluminium body and pinching device in POM (acetal copolymer, graphite reinforced). Guide assembly in chemically nickel plated brass (Ni-P), internal parts in stainless steel.

COIL - Rated for continuous duty in DC (direct current) only. Coil in class "F" (+155°C) wound by class "H" wires (+180°C) vacuum impregnated by polyester resin and encapsulated into glass fibre reinforced PBT (polybutylene-terephthalate).

Ambient temperature from -10°C to +60°C.

Standard voltages: 12-24 V DC.

Voltage tolerance: +10% -5%.

Electric connections suitable for either quick connectors (DIN 46340) or 3 poles micro plug connectors.

Protection degree IP65 as per EN 60529 if the coil is duly fitted with its micro-plug connector.

TUBINGS		Tubing Minimum Wall Thickness (mm)	Pinching strenght (kg)	Series and type		Power Absorption (W)	Notes	Weight (kg)
I.D. (mm)	O.D. (mm)			Valve	Coil			
0,76	1,65	0,4	0,180	S104 07	Z030A	4	-	0,050
1,02	2,16	0,5	0,220	S104 08				
1,57	3,18	0,7	0,280	S104 09				
1,98		0,5	0,250	S104 10				

- NOTES**
- Other voltages on request.
 - For the use of a soft tubing with outside diameter smaller than 2,2mm it is necessary to install the tubing guide sleeve (drawing K29501).

NB – THE VALIDITY OF REPORTED DATA IS REFERRED TO THE DATE OF ISSUE. POSSIBLE UPDATING ARE AVAILABLE ON REQUEST

SIRAI ELETTROMECCANICA S.r.l. Strada per Cernusco, 19 - 20060 BUSSERO (MI) – Italy
Tel. (+39) 0295038621 - 0295038712 - Fax (+39) 0295038895 - E-mail: sirai@tin.it - www.sirai.com