



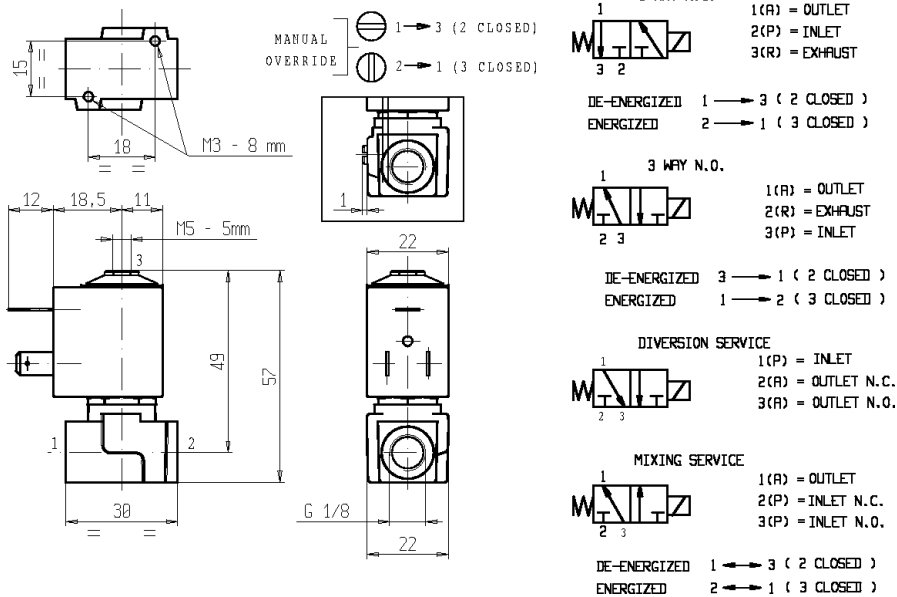
3/2 - SOLENOID VALVE –

Normally closed (N.C.) – Normally open (N.O.) - Universal service (U.S.)

Series **L378** - Coil Z830A - G 1/8

L378

ISO 9001



FEATURES - Direct acting solenoid valve, small body size, available in different models to shut off liquid and gaseous media compatible with the valve materials. Suitable for pneumatic and hydraulic circuits and to operate single-acting cylinders. Suitable also for mounting on manifold, (see the technical sheet K23255).

MOUNTING - In any position, vertical with coil upwards preferred.

VALVE - Brass body . Internal parts in stainless steel. Guide pipe with brass hexagonal screwed bonnet. Seals as per table. Medium temperature from -10°C to + 90°C (NBR) from 0°C +130°C (FPM). Max viscosity 5°E (~37cStokes or mm²/s). Opening time ~15ms. Closing time ~15ms.

COIL - Rated for continuous duty, in AC (alternate current) or DC (direct current). Coil in class "F" (+155°C) wound by class "H" wires (+180°C) vacuum impregnated by polyester resin and encapsulated into glass fibre reinforced PBT (polybutylene-terephthalate).

Ambient temperature from -10°C to +60°C.

Standard voltages 24/50Hz-110/50Hz (120/60Hz)-230V/50Hz and 12-24 V DC

Voltage tolerance +10% -15% AC and +10% -5% DC.

Electric plug connection (DIN 46340) or suitable for 3 poles connectors.

Protection degree IP65 as per EN 60529 if the coil is duly fitted with its plug connector.

Port size ISO 228	Orifice size (mm)	Max pressure (bar)				Kv (m ³ /h)	Series and type		Power absorption			Seals	Use/Notes	Weight (kg)	
		Gases		Liquids			Valve	Coil	AC (VA)		DC (W)				
		AC	DC	AC	DC				Inrush	Holding					
G 1/8	1,6	10	10	8	8	0,08	L378B01C	Z830A	10	7	6	NBR	N.C.	0,145	
							L378V01C					FPM			
							L378B02C					NBR			N.C. - 2
							L378V02C					FPM			
							L378B01A					NBR			N.O. - 1
							L378V01A					FPM			
		L378B02A	NBR	N.O. - 1 - 2											
		L378V02A	FPM												
		5	5	5	5		L378B01G		NBR	U.S.					
							L378V01G		FPM						
							L378B02G		NBR		U.S. - 2				
							L378V02G		FPM						

NOTES - Seal: NBR = Nitrile-butylene elastomer - FPM = Fluoro carbon elastomer.

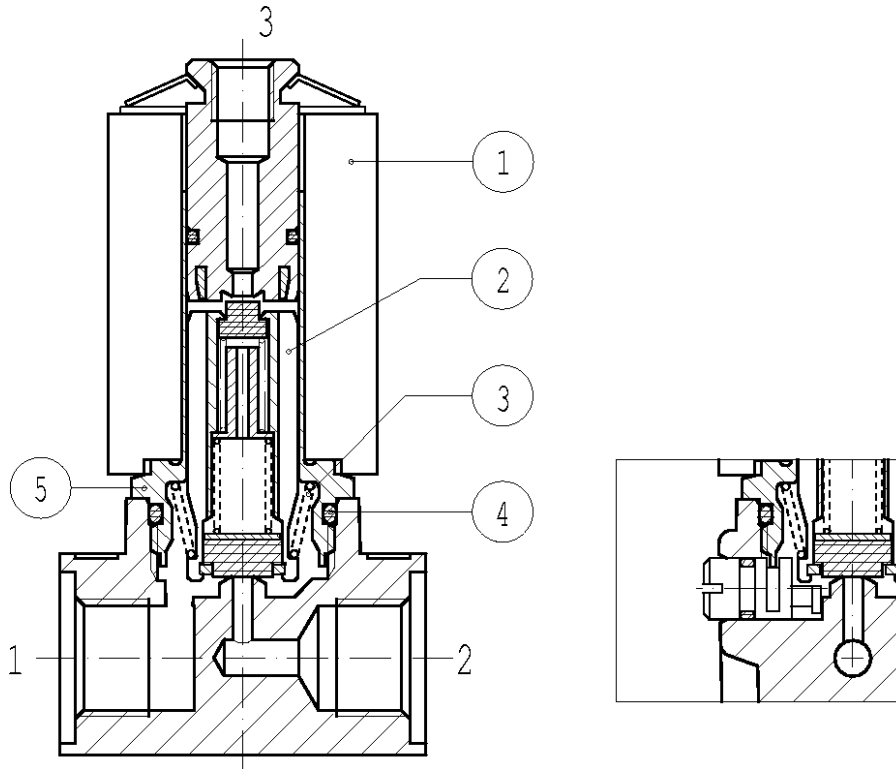
- Other voltages and frequencies on request.

1 - The N.O. version is not suitable for installation on manifold: see the L331B24.

2 - Models with manual override.

SPARE PARTS

Series L378



Kit description

Kit P.N.

Consisting of:

Core kit	L378B01-02C L378V01-02C L378B01-02A L378V01-02A L378B01-02G L378V01-02G	G3032101 G3032102 G3032201 G3032202 G3032301 G3032302	Core pos. 2 OR guide assembly pos. 4
Core spring kit	L378B-V-01-02C L378B-V-01-02A L378B-V-01-02G	G3031201 G3031301 G3031401	N. 10 Core return springs pos. 3
OR guide assembly kit L378B01-02 C-A-G OR guide assembly kit L378V01-02 C-A-G		GU2421000017 GU2424000017	n°10 OR guide assembly pos. 4 n°10 OR Guide assembly pos. 4
Guide pipe assembly L378B01-02 C-A-G L378V01-02 C-A-G		2880201 2880203	Guide pipe assembly pos. 5
Coil Z830A			Coils pos. 1

NB - THE VALIDITY OF REPORTED DATA IS REFERRED TO THE DATE OF ISSUE. POSSIBLE UPDATING ARE AVAILABLE ON REQUEST