



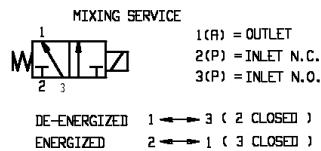
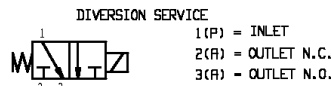
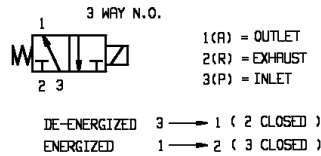
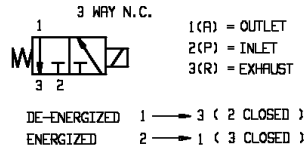
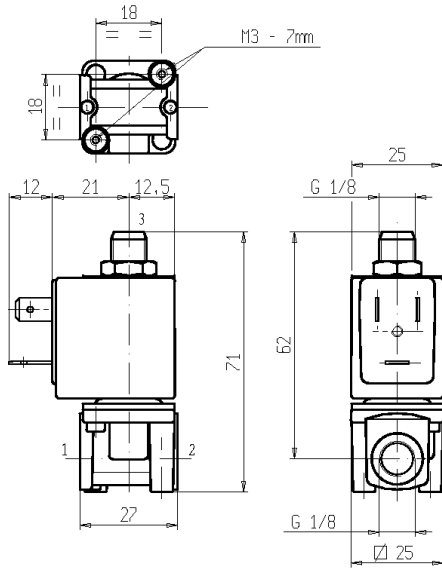
# 3/2 - SOLENOID VALVE -

Normally closed (N.C.) – Normally open (N.O.) - Universal service (U.S.)

Series **L377** - Coil Z610A - G 1/8

**L377**

ISO 9001



**FEATURES** - Direct acting solenoid valve, small body size, available in different models to shut off liquid and gaseous media compatible with the valve materials. Suitable for pneumatic and hydraulic circuits and to operate single-acting cylinders. Suitable also for mounting on manifold, (see the technical sheet K23255).

**MOUNTING** - In any position, vertical with coil upwards preferred.

**VALVE** - Brass body. Internal parts in stainless steel. Seals as per table. Medium temperature from -10°C to +90°C (NBR) from 0°C to +130°C (FPM). Max viscosity 5°E (~37cStokes or mm²/s). Opening time ~15ms. Closing time ~15ms.

**COIL** - Rated for continuous duty, in AC (alternate current) or DC (direct current). Coil in class "F" (+155°C) wound by class "H" wires (+180°C) vacuum impregnated by polyester resin and encapsulated into glass fibre reinforced PBT (polybutylene terephthalate).

Ambient temperature from -10°C to +60°C.

Standard voltages 24-110(120V/60Hz)-220-230V/50-60Hz and 12-24 V DC

Voltage tolerance +10% -15% AC and +10% -5% DC.

Electric plug connection (DIN 46340) or suitable for 3 poles connectors.

Protection degree IP65 as per EN 60529 if the coil is duly fitted with its plug connector.

Port size ISO 228	Orifice size (mm)	Max pressure (bar)				Kv (m³/h)	Series and type		Power absorption			Seals	Use/Notes	Weight (kg)
		Gases		Liquids			Valve	Coil	AC (VA)		DC (W)			
		AC	DC	AC	DC				Inrush	Holding				
G 1/8	1,6	10	10	8	8	0,08	L377B03C	Z610A	16	10	6	NBR	N.C.	0,170
							L377V03C					FPM		
				L377B03A	NBR		N.O. - 1							
				L377V03A	FPM									
		6	6	6	6		L377B03G					NBR	U.S.	
							L377V03G					FPM		

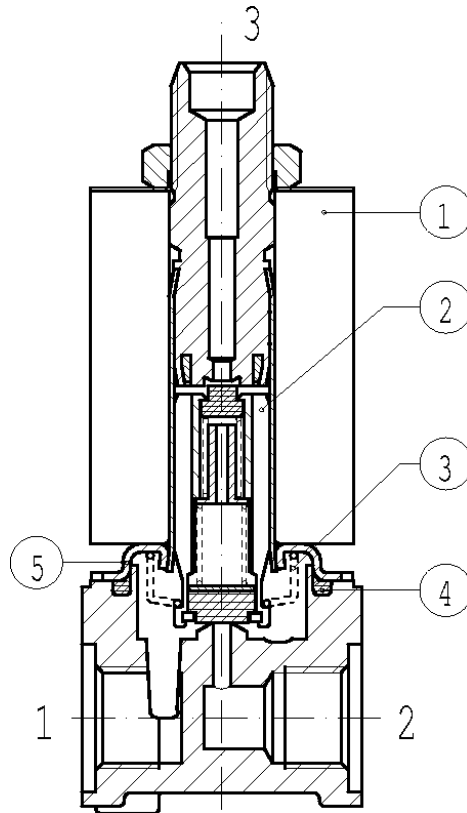
NOTES - Seal: NBR = Nitrile-butylene elastomer - FPM = Fluoro carbon elastomer.

- Other voltages and frequencies on request.

1 - The N.O. version is not suitable for installation on manifold: see the L331B24.

## SPARE PARTS

### Series L377



#### Kit description

#### Kit P.N.

#### Consisting of:

Core kit	L377B03C L377V03C L377B03A L377V03A L377B03G L377V03G	G2934701 G2934702 G2934801 G2934802 G2934901 G2934902	Core pos. 2 OR guide assembly pos. 4
Core spring kit	L377B-V-03C L377B-V-03A L377B-V-03G	G2926801 G2926901 G2927101	N. 10 Core return springs pos. 3
OR guide assembly kit L377B03 C-A-G OR guide assembly kit L377V03-C-A-G		GU2421000017 GU2424000017	n°10 OR guide assembly pos. 4 n°10 OR Guide assembly pos. 4
Guide pipe assembly		2973101	Guide pipe assembly pos. 5
Coil Z610A			Coil pos. 1

NB - THE VALIDITY OF REPORTED DATA IS REFERRED TO THE DATE OF ISSUE. POSSIBLE UPDATING ARE AVAILABLE ON REQUEST