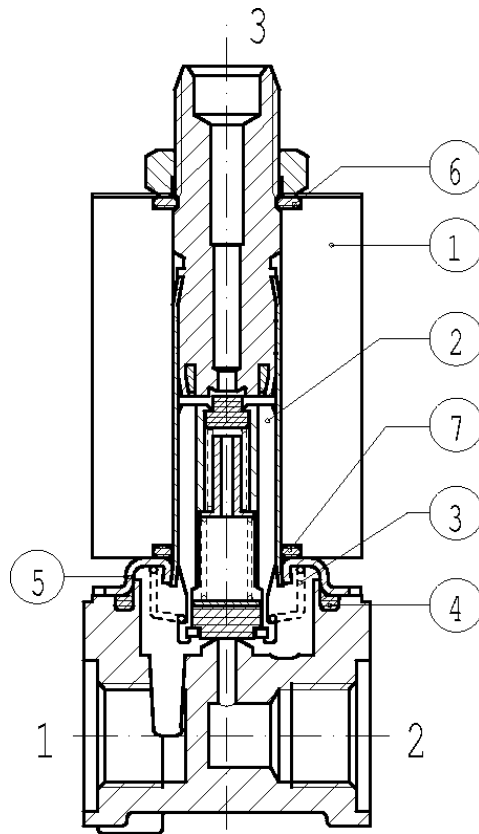


SPARE PARTS

Series L377V03C



Kit description

Kit P.N.

Consisting of:

Core kit	G2934701	Core pos. 2 OR guide assembly pos. 4
Core spring kit	G2926801	N. 10 Core return springs pos. 3
OR guide assembly kit	GU2424000017	n°10 OR guide assembly pos. 4
Guide pipe assembly	2973101	Guide pipe assembly pos. 5
Coil Z615X		Coil pos. 1
OR coil kit	G3008901	N° 10 OR pos. 6 N° 10 OR pos. 6

NB - THE VALIDITY OF REPORTED DATA IS REFERRED TO THE DATE OF ISSUE. POSSIBLE UPDATING ARE AVAILABLE ON REQUEST