

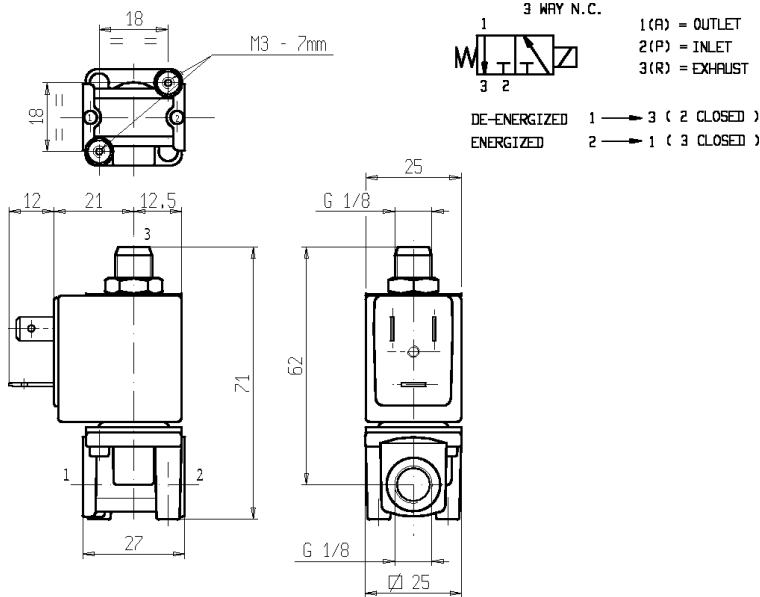


3/2 - SOLENOID VALVE - Normally closed (N.C.) Series L377V03-V05C - Coil Z610A - G 1/8

L377V03C-V05C

ISO 9001

NON STANDARD



FEATURES - Direct acting solenoid valve, small body size, available in different models to shut off liquid and gaseous media compatible with the valve materials. Suitable for pneumatic and hydraulic circuits and to operate single-acting cylinders. Suitable also for mounting on manifold, (see the technical sheet K23255).

MOUNTING - In any position, vertical with coil upwards preferred.

VALVE - Brass body. Internal parts in stainless steel. Seals as per table. Medium temperature from 0°C +130°C . Max viscosity 5°E (~37cStokes or mm²/s). Opening time ~15ms. Closing time ~15ms.

COIL - Rated for continuous duty, in AC (alternate current) or DC (direct current). Coil in class "F" (+155°C) wound by class "H" wires (+180°C) vacuum impregnated by polyester resin and encapsulated into glass fibre reinforced PBT (polybutylene-terephthalate).

Ambient temperature from -10°C to +60°C.

Standard voltages 24-110(120V/60Hz)-220-230V/50-60Hz and 12-24 V DC

Voltage tolerance +10% -15% AC and +10% -5% DC.

Electric plug connection (DIN 46340) or suitable for 3 poles connectors.

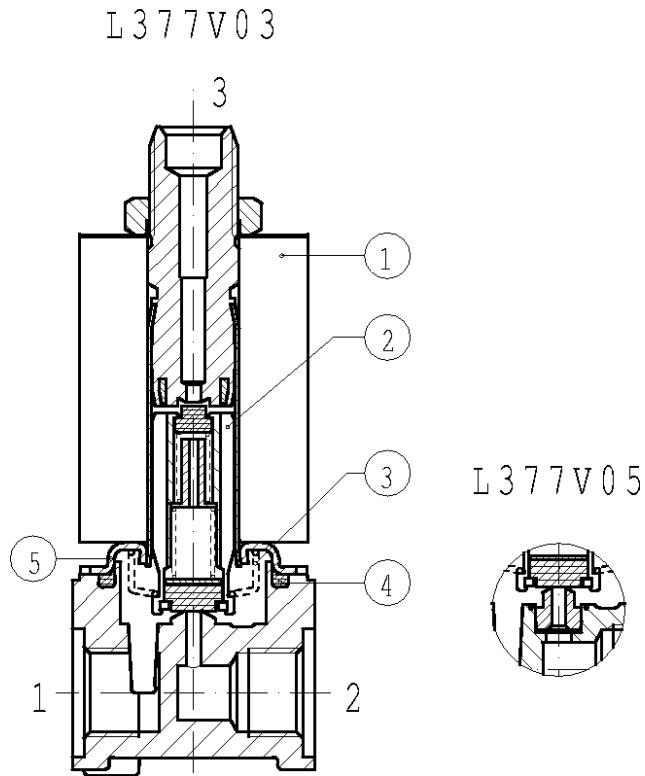
Protection degree IP65 as per EN 60529 if the coil is duly fitted with its plug connector.

Port size ISO 228	Orifice size (mm)	Max pressure (bar)				Kv (m ³ /h)	Series and type		Power absorption			Seals	Notes	Weight (kg)
		Gases		Liquids			Valve	Coil	AC (VA)		DC (W)			
		AC	DC	AC	DC				Inrush	Holding				
G 1/8	1,3	15	15	15	15	0,045	L377V03C	Z610A	16	10	6	FPM	-	0,170
	1,6	10	10	8	8	0,08	L377V 05C						1	
	2,3	3	3	3	3	0,14								

- NOTES**
- Seal: FPM = Fluoro carbon elastomer.
 - Other voltages and frequencies on request.
 - 1 - Upper exhaust (3) with seat diameter 1,6 mm.
 - 2 - Solenoid valve with stainless steel seat.

SPARE PARTS

Series L377v03-v05c



Kit description

Kit P.N.

Consisting of:

Core kit $\varnothing 1,3 - \varnothing 1,6$	G2934702	Core pos. 2 OR guide assembly pos. 4
Core kit $\varnothing 2,3$	G2934902	Core pos. 2 OR guide assembly pos. 4
Core spring kit $\varnothing 1,3 - \varnothing 1,6$	G2926801	N. 10 Core return springs pos. 3
Core spring kit $\varnothing 2,3$	G2927101	N. 10 Core return springs pos. 3
OR guide assembly kit	GU2424000017	n°10 OR guide assembly pos. 4
Guide pipe assembly	2973101	Guide pipe assembly pos. 5
Coil Z610A		Coil pos. 1

NB - THE VALIDITY OF REPORTED DATA IS REFERRED TO THE DATE OF ISSUE. POSSIBLE UPDATING ARE AVAILABLE ON REQUEST