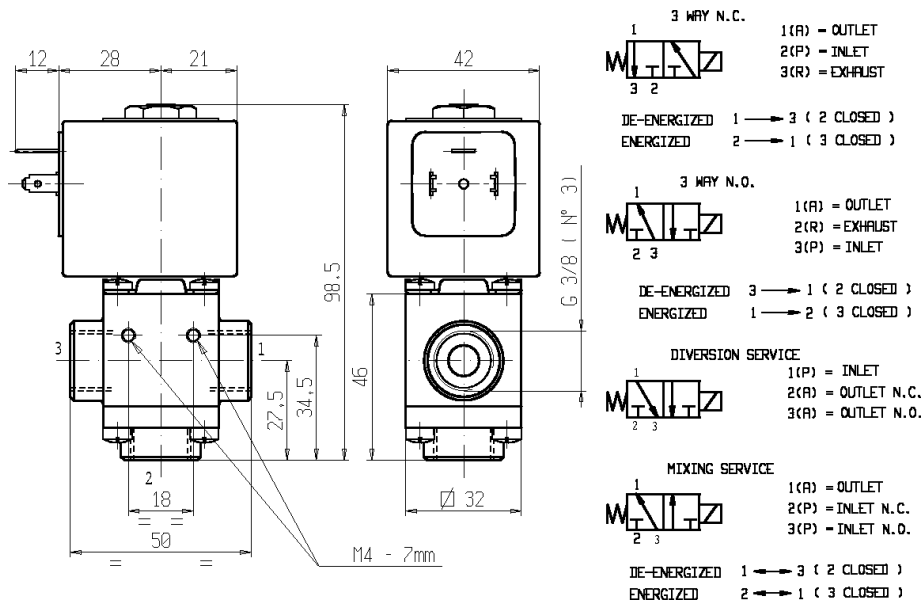




**3/2 - SOLENOID VALVE - Universal service (U.S.)**  
**Series L340 - Coil Z110A - G 3/8**

ISO 9001

NON STANDARD



**FEATURES** - Direct acting solenoid valve. Designed to shut off liquid and gaseous media compatible with the valve materials. Designed for heavy duties and high number of cycles. The parts subject to sliding friction are duly coated by PTFE-based self lubricating material.

**MOUNTING** - In any position, vertical with coil upwards preferred.

**VALVE** - Anodized aluminium body . Internal parts in stainless steel. Seals as per table. Medium temperature from -10°C to + 90°C(NBR), from 0°C to +130°C (FPM). Max viscosity 5°E (~37cStokes or mm<sup>2</sup>/s).Opening time ~30ms. Closing time ~30ms.

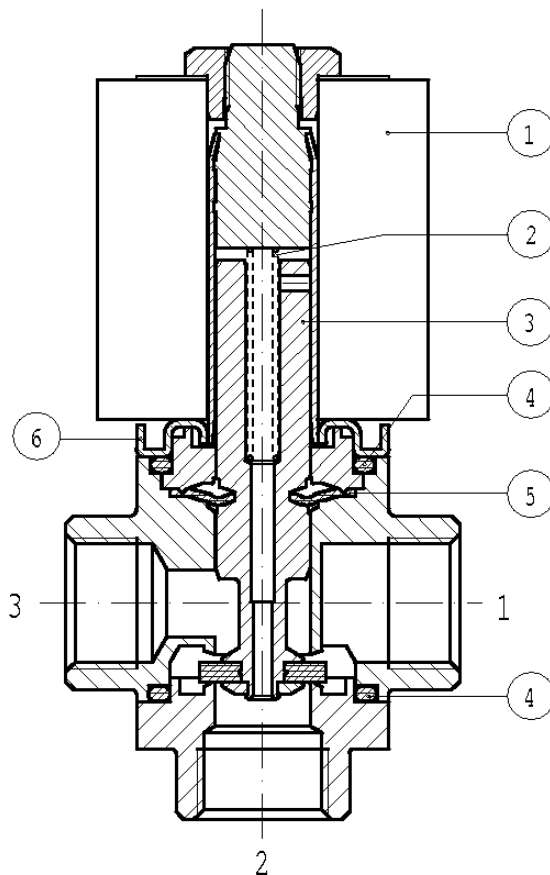
**COIL** - Rated for continuous duty in DC (direct current). Coil in class "F" (+155°C) wound by class "H" wires (+180°C) vacuum impregnated by polyester resin and encapsulated into glass fibre reinforced PBT ( polybutylene-terephthalate). Ambient temperature from -10°C to +60°C.  
 Standard voltages 12-24 V DC  
 Voltage tolerance +10% -5% DC.  
 Electric plug connection (DIN 46340) or suitable for 3 poles connectors (DIN 43650).  
 Protection degree IP65 as per EN 60529 if the coil is duly fitted with its plug connector.

Port size ISO 228	Orifice size (mm)	Max pressure (bar)				Kv (m <sup>3</sup> /h)	Series and type		Power absorption			Seals	Notes	Weight (kg)
		Gases		Liquids			Valve	Coil	AC (VA)		DC (W)			
		AC	DC	AC	DC				Inrush	Holding				
G 3/8	12	-	2	-	2	1,4	L340B02G	Z110A	-	-	13	NBR	-	0,660
							L340V02G							

**NOTES** - Seal: NBR = Nitrile-butylene elastomer FPM = Fluoro-carbon elastomer  
 - Other voltages and frequencies on request.

## SPARE PARTS

### Series L340B-V02



#### Kit description

#### Kit P.N.

#### Consisting of:

Core kit B02G  
Core kit V02G

G2938801  
G2938802

Core pos. 3  
Diaphragms pos. 5  
Core return spring pos. 2  
O-rings for guide assembly pos. 4

Core return spring kit

G2446101

N.10 core return springs pos. 2

O-Ring guide assembly B02G  
O-Ring guide assembly V02G

GU2421000059  
GU2424000059

N. 10 O-rings for guide assembly pos. 4  
N. 10 O-rings for guide assembly pos. 4

Guide pipe assembly

2891301

Guide pipe assembly pos. 6

Coil Z110A

Coil pos. 1

NB - THE VALIDITY OF REPORTED DATA IS REFERRED TO THE DATE OF ISSUE. POSSIBLE UPDATING ARE AVAILABLE ON REQUEST