

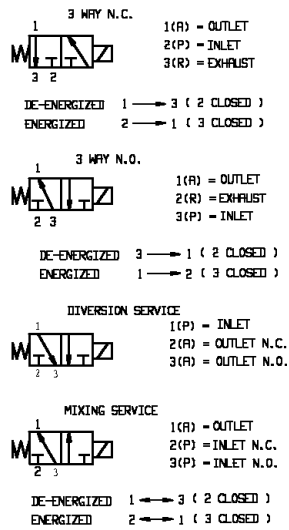
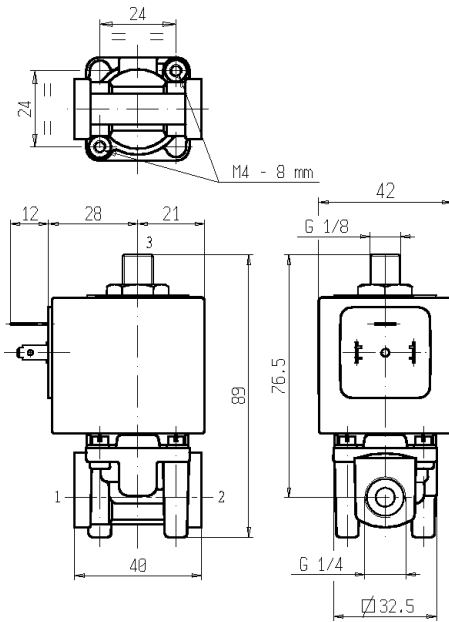


3/2 - SOLENOID VALVE -

Normally closed (N.C.) - Normally open (N.O.) - Universal service (U.S.)
 Series **L339** - Coil Z110A - G 1/4

L339

ISO 9001



FEATURES - Direct acting solenoid valve. Designed to shut off liquid and gaseous media compatible with the valve materials.

MOUNTING - In any position, vertical with coil upwards preferred.

VALVE - Brass body. Internal parts in stainless steel. Seals as per table. Medium temperature from -10°C to + 90°C (NBR), from 0°C to +130°C (FPM). Max viscosity 5°E (~37cStokes or mm²/s). Opening time ~15ms. Closing time ~15ms.

COIL - Rated for continuous duty, in AC (alternate current) or DC (direct current). Coil in class "F" (+155°C) wound by class "H" wires (+180°C) vacuum impregnated by polyester resin and encapsulated into glass fibre reinforced PBT (polybutylene-terephthalate).

Ambient temperature from -10°C to +60°C.

Standard voltages 24/50Hz-110/50Hz (120/60Hz)-230V/50Hz and 12-24 V DC.

Voltage tolerance +10% -15% AC and +10% -5% DC.

Electric plug connection (DIN 46340) or suitable for 3 poles connectors (DIN 43650).

Protection degree IP65 as per EN 60529 if the coil is duly fitted with its plug connector.

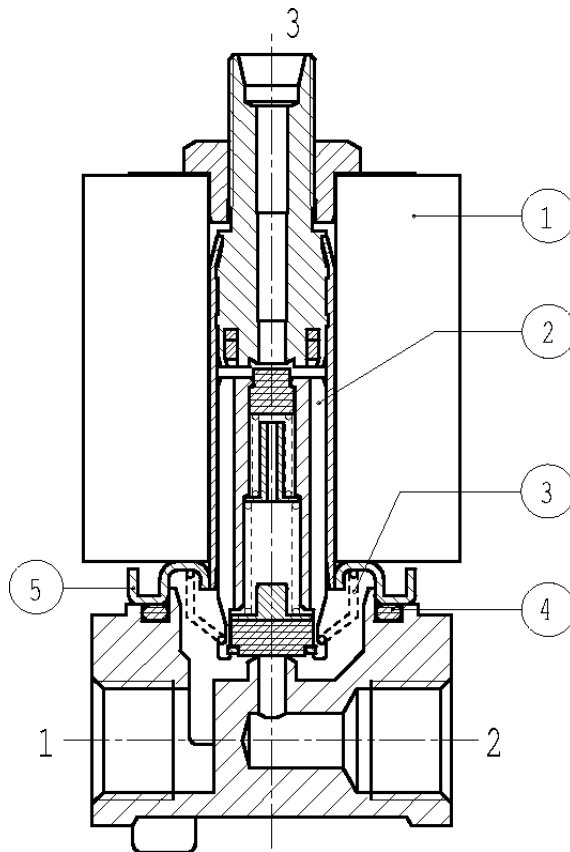
Port size ISO 228	Orifice size (mm)	Max pressure (bar)				Kv (m ³ /h)	Series and type		Power absorption			Seals	Use/Notes	Weight (kg)
		Gases		liquids			Valve	Coil	AC (VA)		DC (W)			
		AC	DC	AC	DC				Inrush	Holding				
G 1/4	2,3	10	10	10	10	0,17	L339B03C	Z110A	44	24	13	NBR	N.C.	0,500
	3	6	6	5	5	0,26								
	2,3	10	10	10	10	0,17	L339V03C							
	3	6	6	5	5	0,26								
	2,3	8	8	8	8	0,17	L339B03A							
	3	4	4	3,5	3,5	0,26								
	2,3	10	10	10	10	0,17	L339V03A							
	3	6	6	5	5	0,26								
	2,3	10	10	10	10	0,17	L339B03G							
	3	6	6	5	5	0,26								
	2,3	8	8	8	8	0,17	L339V03G							
	3	4	4	3,5	3,5	0,26								

NOTES - Seal: NBR = Nitrile-butylene elastomer FPM = Fluoro-carbon elastomer
 - Other voltages and frequencies on request.

1 - The use of the solenoid valve as N.O., without any outlet restriction, reduces the max pressure to the 50% of the rated value.

SPARE PARTS

Series L339



Kit description

Kit P.N.

Consisting of:

Core kit	L339B03C L339V03C L339B03A L339V03A L339B03G L339V03G	G2879201 G2879202 G2879301 G2879302 G2879401 G2879402	Core pos. 2 O-rings for guide assembly pos. 4
Core return spring kit	L339B03C-V03C	G2908601	N.10 core return springs pos.3
Core return spring kit	L339B03A-V03A	G2876701	N.10 core return springs pos.3
Core return spring kit	L339B03G-V03G	G2876301	N.10 core return springs pos.3
O-Ring guide assembly	L339B03C-B03A-B03G L339V03C-V03A-V03G	GU2421000059 GU2424000059	N. 10 O-rings for guide assembly pos. 4
Guide pipe assembly	L339... Ø 2,3 L339... Ø 3	2873101 2873102	Guide pipe assembly pos. 5
Coil	Z110A		Coil pos. 1

NB - THE VALIDITY OF REPORTED DATA IS REFERRED TO THE DATE OF ISSUE. POSSIBLE UPDATING ARE AVAILABLE ON REQUEST