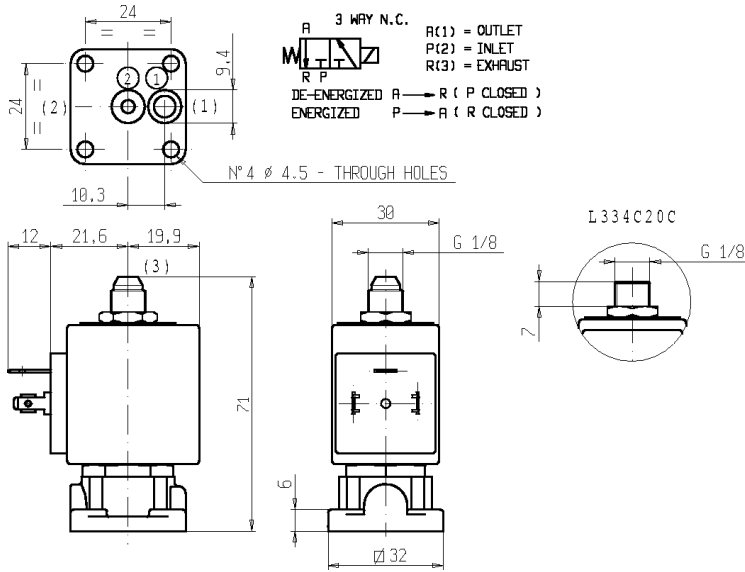




3/2 - SOLENOID VALVE - Normally closed (N.C.)
Series L334 - Coil ZA30A - ZA30E

ISO 9001



FEATURES - Direct acting solenoid valve designed for mounting on plate or directly on the user. Suitable to shut off liquid and gaseous media compatible with the valve materials. Inlet and outlet ports asymmetrically placed on the bottom of the body. They are supplied with OR seal (FPM).

MOUNTING - In any position, vertical with coil upwards preferred.

VALVE - Brass body with seat and internal parts in stainless steel. Seals as per table. Medium temperature from -10°C to +170°C (RUBY), from 0°C to + 130°C (FPM). Max viscosity 5°E (~37cStokes or mm²/s). Opening time ~15ms. Closing time ~15ms.

COIL - For continuous duty in AC (alternate current) or DC (direct current). Coil in class "F" (+155°C) wound by class "H" wires (+180°C) vacuum impregnated by polyester resin and encapsulated into glass fibre reinforced PBT (polybutylene-terephthalate). Ambient temperature from -10°C to +50°C.

Standard voltages ZA30A: 24/50Hz-110/50Hz (120/60Hz)-220/50Hz (240/60Hz)-230V/50Hz; ZA30E 12-24 V DC

Voltage tolerance +10% -15% AC and +10% -5% DC.

Electric plug connection (DIN 46340) or suitable for 3 poles connectors (DIN43650).

Protection degree IP65 as per EN 60529 if the coil is duly fitted with its plug connector.

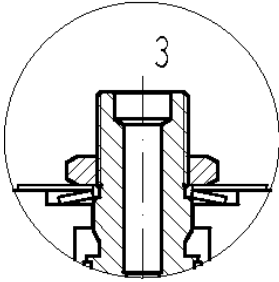
Port-size	Orifice size (mm)	Max pressure (bar)				Kv (m ³ /h)	Series and type		Power absorption			Seals	Notes	Weight (kg)	
		Gases		Liquids			Valve	Coil	AC (VA)		DC (W)				
		AC	DC	AC	DC				Inrush	Holding					
	1,3	13	-	13	-	0,06	L334C18C	ZA30A	23	14	-	RUBY	1-2-3	0,250	
		-	13	-	13			ZA30E	-	-	12				1-2-3-5
		13	-	13	-		L334C20C	ZA30A	23	14	-		1-2-3		
		-	13	-	13			ZA30E	-	-	12				1-2-3-5
	1,6	13	-	13	-	0,08	L334C18C	ZA30A	23	14	-		FPM		
		-	13	-	13			ZA30E	-	-	12				1-2-3-5
		13	-	13	-		L334C20C	ZA30A	23	14	-				
		-	13	-	13			ZA30E	-	-	12				
		13	-	13	-	L334V19C	ZA30A	23	14	-	1-2-4				
		-	13	-	13		ZA30E	-	-	12					

- NOTES**
- Upper exhaust (3) with seat diameter 2,5 mm (L334C18C-L334C20C) and with seat diameter 2,3 mm (L334V19C)
 - The spontaneous opening of the valve, due to an over-pressure on "P" port, is normally at around 17 bar. Anyway this valve must not be used as a safety valve, as it hasn't been designed and tested for that use.
 - Seal: RUBY=Synthetic corundum FPM=Fluoro-carbon elastomer.
 - The use of rigid sealings with gaseous fluids implies a slight leakage, generally limited with in 2 scc/min at 1 bar pressure.
 - Other voltages and frequencies on request.
 - 1 - On request coil ZA34A and ZA34E PPS (polyphenylene-sulfide), class "H" (+180°C), maximum ambient temperature 80°C.
 - 2 - Gasket between core armature and body and between body and user in FPM.
 - 3 - Solenoid valve with stainless steel seat, suitable for steam up to 170°C (maximum pressure 8 bar).
 - 4 - Solenoid valve with stainless steel seat, suitable for steam up to 130°C (maximum pressure 2,8 bar).
 - 5 - Model on request only and subject to minimum quantities.

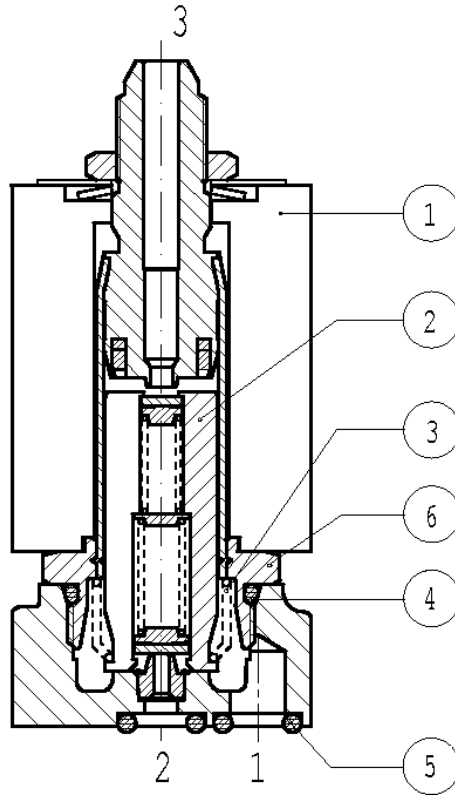
SPARE PARTS

Series L334

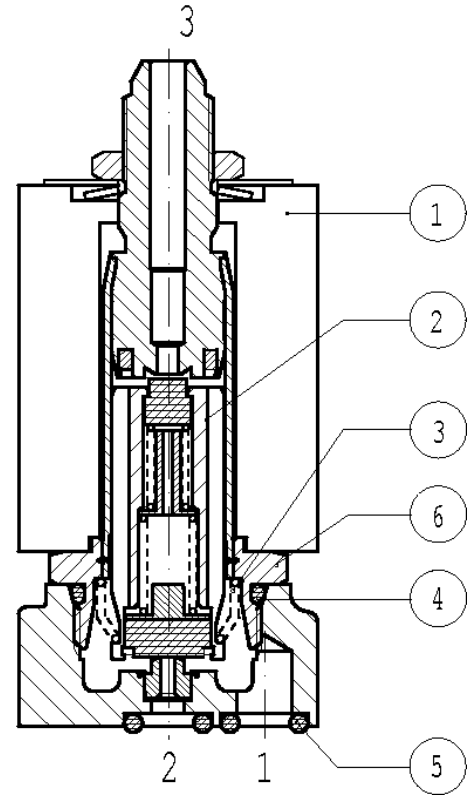
L334 C20C



L334 C18C



L334 V19C



Kit description

Kit P.N.

Consisting of :

Core kit	L334-C18C-C20C L334-V19C	G3008701 G3027802	Core pos. 2
Core return spring kit	L334-C18C-C20C L334-V19C	G3018201 G3027201	N. 10 Core return springs pos. 3
OR guide pipe assembly kit		GU2428000017	N. 10 OR guide pipe assembly pos. 4
OR body kit		GU2424000007	N. 10 OR body pos.6
Guide pipe assembly	L334-C18C L334-V19C L334-C20C		Guide pipe assembly pos. 6
Coil	ZA30A ZA30E		Coil pos. 1

NB - THE VALIDITY OF REPORTED DATA IS REFERRED TO THE DATE OF ISSUE. POSSIBLE UPDATING ARE AVAILABLE ON REQUEST