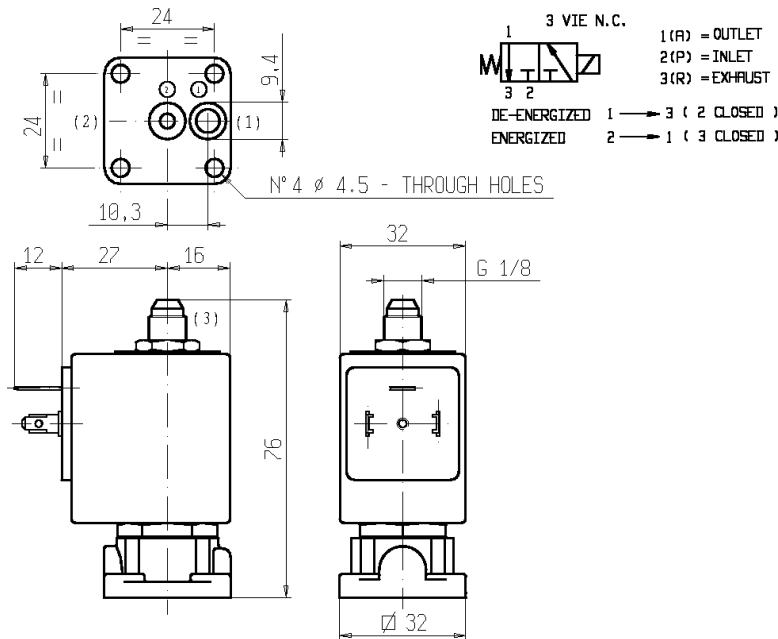




3/2 - SOLENOID VALVE - Normally closed (N.C.)
Series L334G15 - Coil Z530A

ISO 9001



FEATURES - Direct acting solenoid valve designed for mounting on plate or directly on the user. Suitable to shut off liquid and gaseous media compatible with the valve materials. Inlet and outlet ports asymmetrically placed at the bottom of the body. They are supplied with OR seals.

MOUNTING - In any position, vertical with coil upwards preferred.

VALVE - Brass body with seat and internal parts in stainless steel. Seals as per table. Medium temperature from 0°C to +130°C. Max viscosity 5°E (~37cStokes or mm²/s). Opening time ~15ms. Closing time ~15ms.

COIL - Rated for continuous duty, in AC (alternate current.) or DC (direct current). Coil in class "F" (+155°C) wound by class "H" wires (+180°C) vacuum impregnated by polyester resin and encapsulated into glass fibre reinforced PBT (polybutylene-terephthalate).

Ambient temperature from -10°C to +60°C.

Standard voltages 24V/50Hz - 110V/50Hz (120V/60Hz) - 230V/50Hz and 12-24 V c.c.

Voltage tolerance +10% -15% AC and +10% -5% DC.

Electric plug connection (DIN 46340) or suitable for 3 poles connectors (DIN 43650).

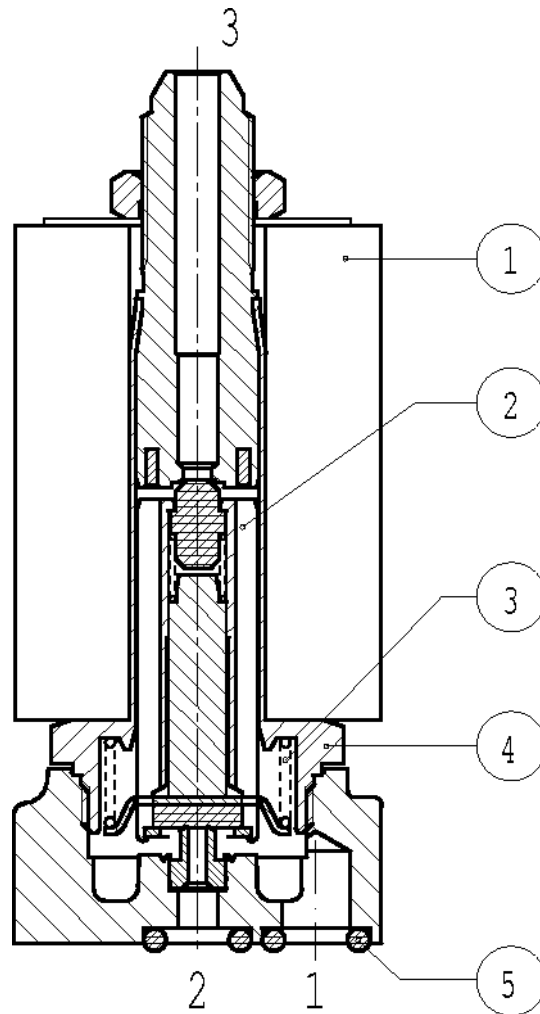
Protection degree IP65 as per EN 60529 if the coil is duly fitted with its plug connector.

Port size	Orifice size (mm)	Max pressure (bar)				Kv (m ³ /h)	Series and type		Power absorption			Seals	Notes	Weight (kg)
		Gases		Liquids			Valve	Coil	AC (VA)		DC (W)			
		AC	DC	AC	DC				Inrush	Holding				
-	1,6	10	10	10	10	0,08	L334G15	Z530A	23	14	9	FPM	1	0,315

- NOTES**
- Upper exhaust (3) with seat diameter 2,5 mm: Kv = 0,14 m³/h
 - Seal: FPM = Fluoro-carbon elastomer
 - Other voltages and frequencies on request.
 - 1 - Solenoid valve with stainless steel seat.

SPARE PARTS

Series L334G15



Kit description

Core kit

Core return spring kit

Kit O-rings body

Guide pipe assembly

Coil Z530A

Kit P.N.

G2660502

G2463601

GU2428000007

2797601

Consisting of:

Core pos. 2
Core return spring pos. 3

N° 10 Core return springs pos. 3

N° 10 O-rings body pos. 5

Guide pipe assembly pos. 4

Coil pos. 1

NB - THE VALIDITY OF REPORTED DATA IS REFERRED TO THE DATE OF ISSUE. POSSIBLE UPDATING ARE AVAILABLE ON REQUEST