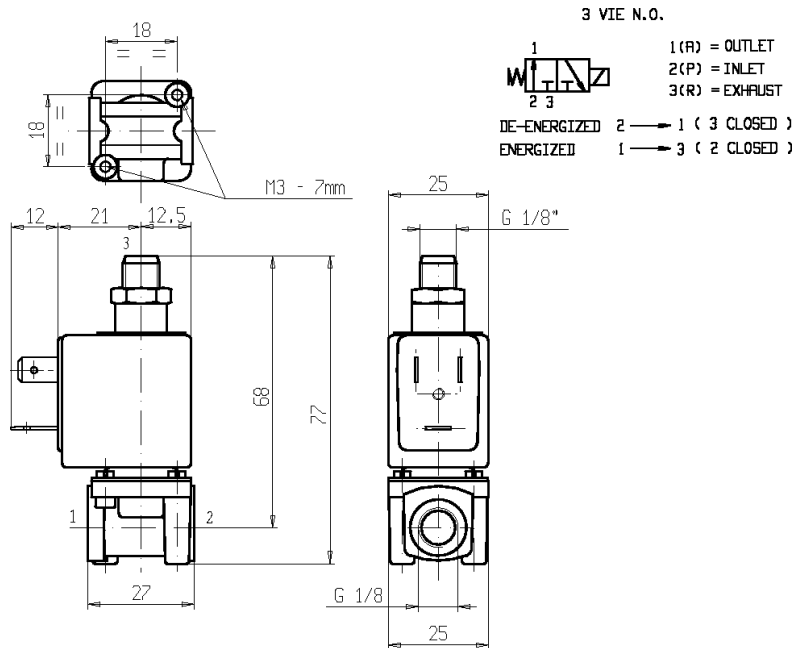




3/2 - SOLENOID VALVE - Normally open (N.O.)
Series L331 - Coil Z610A - G 1/8

ISO 9001

NON STANDARD



FEATURES - Direct acting solenoid valve, small body size. Suitable to shut off liquid and gaseous media compatible with the valve materials. Suitable for pneumatic and hydraulic circuits and to operate single-acting cylinders. Suitable also for mounting on manifold, (see the technical sheet K23255).

MOUNTING - In any position, vertical with coil upwards preferred.

VALVE - Brass body. Internal parts in stainless steel. Seals as per table. Medium temperature from -10°C to + 90°C. Max viscosity 5°E (~37cStokes or mm²/s). Opening time ~15ms. Closing time ~15ms.

COIL - Rated for continuous duty, in AC (alternate current.) or DC (direct current). Coil in class "F" (+155°C) wound by class "H" wires (+180°C) vacuum impregnated by polyester resin and encapsulated into glass fibre reinforced PBT (polybutylene-terephthalate).

Ambient temperature from -10°C to +60°C.

Standard voltages 24-110(120V/60Hz)-220-230V/50-60Hz and 12-24 V DC

Voltage tolerance +10% -15% AC and +10% -5% DC.

Electric plug connection (DIN 46340) or suitable for 3 poles connectors.

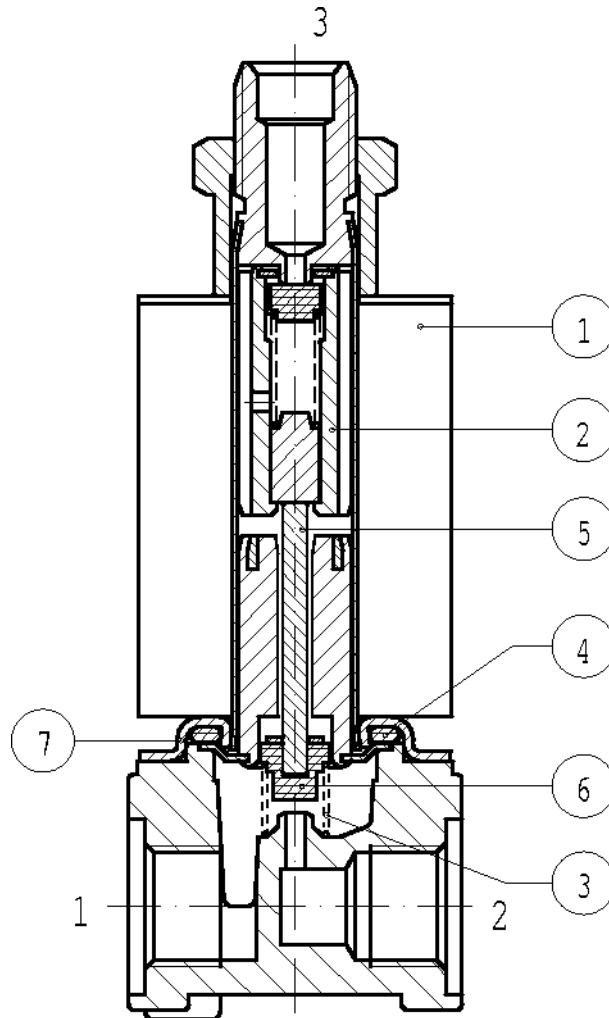
Protection degree IP65 as per EN 60529 if the coil is duly fitted with its plug connector.

Port size ISO 228	Orifice size (mm)	Max pressure (bar)				Kv (m ³ /h)	Series and type		Power absorption			Seals	Notes	Weight (kg)
		Gases		Liquids			Valve	Coil	AC (VA)		DC (W)			
		AC	DC	AC	DC				Inrush	Holding				
G 1/8	1,6	10	7	8	4	0,08	L331B24	Z610A	16	10	6	NBR	-	0,170

NOTES - Seal: NBR = Nitrile-butylene elastomer
 - Other voltages and frequencies on request.

SPARE PARTS

Series L331B24



Kit description

Kit P.N.

Consisting of:

Core kit	G2559601	Core pos.2 Push-rod pos.5 Sealing return spring pos. 3 OR guide assembly pos. 4
Core return spring kit	G2334101	N° 10 sealing return spring pos.3
O-rings guide pipe assembly	GU2421000015	N. 10 O-rings guide pipe assembly pos.4
Sealing kit	G2321801	N° 10 sealing pos. 6
Guide pipe assembly	G2332801	Guide pipe assembly pos. 7
Coil Z610A		Coil pos. 1

NB – THE VALIDITY OF REPORTED DATA IS REFERRED TO THE DATE OF ISSUE. POSSIBLE UPDATING ARE AVAILABLE ON REQUEST