



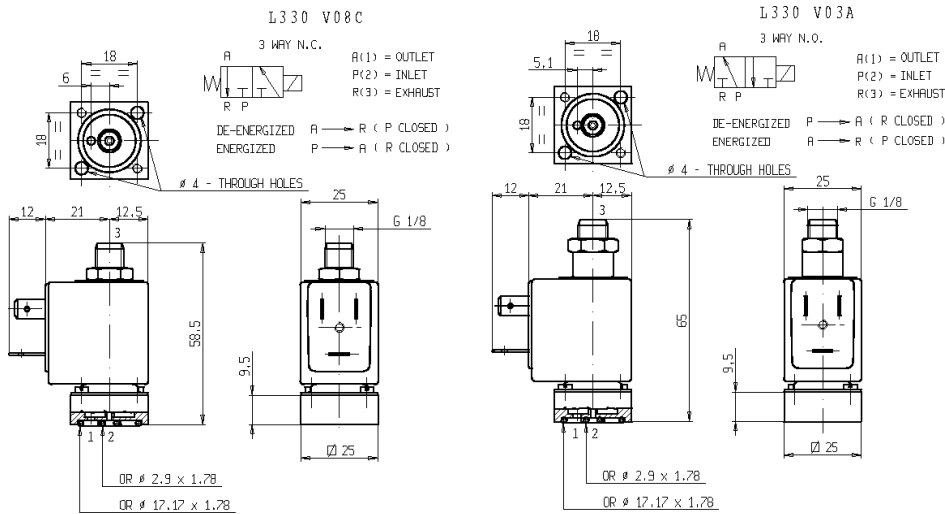
3/2 - SOLENOID VALVE

Normally closed (N.C.) - Normally open (N.O.)

Series **L330V03A-V08C** - Coil Z610A

L330V03A-V08C

ISO 9001



FEATURES - Direct acting solenoid valve, small body size, designed for mounting on plate or directly on the user, suitable for pneumatic and hydraulic circuits and particularly to operate single-acting cylinders. They are supplied with OR seals.

MOUNTING - In any position, vertical with coil upwards preferred.

VALVE - Brass body. Internal parts in stainless steel. Seals as per table. Fluid temperature from 0°C +130°C. Viscosity max 5°E (~37cStokes or mm²/s). Opening time ~15ms. Closing time ~15ms.

COIL - For continuous duty in AC (alternate current) and in DC (direct current). Coil in class "F" (+155°C) wound by class "H" wires (+180°C) vacuum impregnated by polyester resin and encapsulated into glass fibre reinforced PBT (polybutylene-terephthalate). Ambient temperature from -10°C to +60°C.

Standard voltages 24-110-220-230V/50-60Hz and 12-24 V DC.
 Voltage tolerance +10% -15% (50Hz frequency), +10% -10% (60Hz frequency) AC, +10% -5% DC.
 Electric plug connection (DIN 46340) or suitable for 3 poles connectors.
 Protection degree IP65 as per EN 60529 if the coil is duly fitted with its plug connector.

NON STANDARD

Port size	Orifice size (mm)	Max pressure (bar)				Kv (m ³ /h)	Series and type		Power absorption			Seals	Notes	Weight (kg)
		Gases		Liquids			Valve	Coil	AC (VA)		DC (W)			
		AC	DC	AC	DC				Inrush	Holding				
-	1	16	8	-	-	0,04	L330V03A	Z610A	16	10	6	FPM	N.O.	0,150
	1,6	13	10	8	8	0,08								
	1,2	16	16	-	-	0,05	L330V08C						N.C. - 1	0,140

- NOTES**
- Seal: FPM = Fluoro carbon elastomer.
 - Other voltages and frequencies on request.
 - In case of disassembling of the coil, the fixing bolt has to be tightened at 3 Nm max. torque.
 - 1- Upper exhaust (3) with seat diameter 1,6 mm

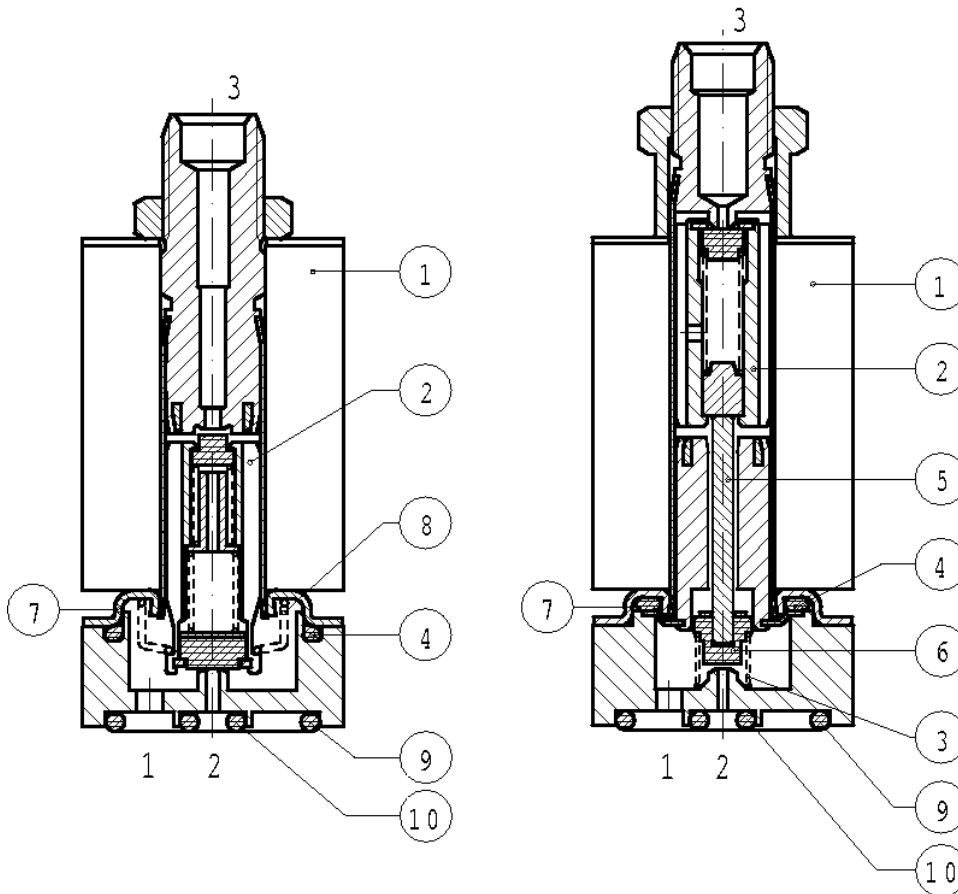
0012/0109

SPARE PARTS

Series L330V03A-V08C

L330 V08C

L330 V03A



NON STANDARD

Kit description	Kit P.N.	Consisting of :
Core kit L330V03A Ø1 Ø1,6	G2559603 G2559602	Core pos. 2 Push-rod group pos.5 O-Ring for guide assembly pos.4
Core kit L330V08C	G2934702	Core pos.2 O-Ring for guide assembly pos.4
Return sealing spring L330V03A	G2334101	N° 10 Return sealing springs pos.3
Core return spring L330V08C	G2926801	N° 10 Core return springs pos.8
O-Ring for guide assembly L330V03A L330V08C	GU242400015 GU242400017	N° 10 O-Rings for guide assembly pos. 4
O-Rings body kit	GU2421000017 GU2421000003	N° 10 O-Rings body pos.9 N° 10 O-Rings body pos.10
Sealing kit L330V03A	G2321802	N° 10 sealings pos.6
Guide pipe assembly L330V03A Ø1 L330V03A Ø1,6 L330V08C	2998401 2998402 2998101	Guide pipe assembly pos.7
Coil Z610A		Coil pos. 1

NB - THE VALIDITY OF REPORTED DATA IS REFERRED TO THE DATE OF ISSUE. POSSIBLE UPDATING ARE AVAILABLE ON REQUEST