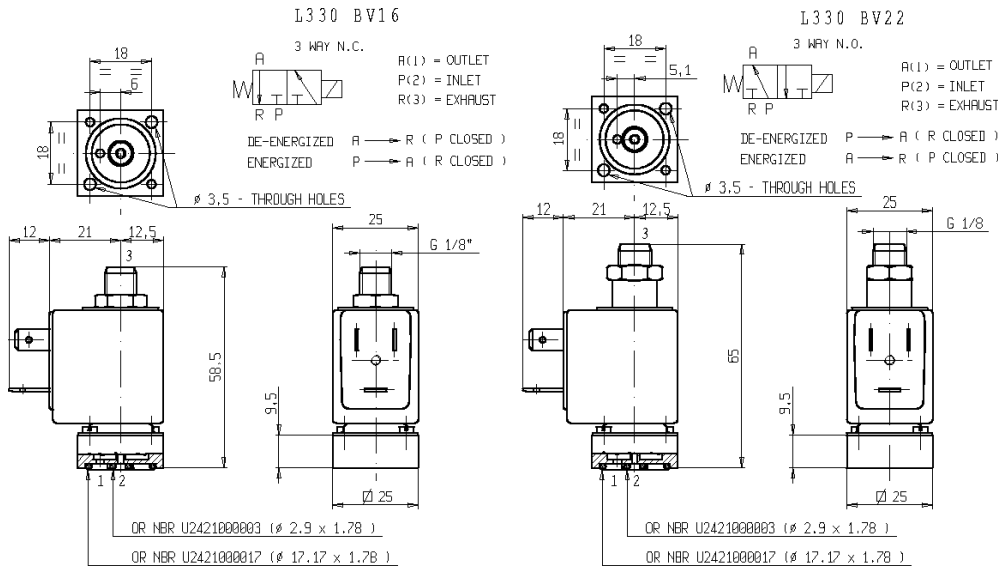




## 3/2 - SOLENOID VALVE - Normally closed (N.C.) - Normally open (N.O). Series L330B-V-16-22 - Coil Z610A

ISO 9001

NON STANDARD



**FEATURES** - Direct acting solenoid valve, small body size, designed for mounting on plate or directly on the user, suitable for pneumatic and hydraulic circuits and particularly to operate single-acting cylinders. They are supplied with OR seals.

**MOUNTING** - In any position, vertical with coil upwards preferred.

**VALVE** - Brass body. Internal parts in stainless steel. Seals as per table. Fluid temperature from -10°C to +90°C (NBR), from 0°C to +130°C (FPM). Viscosity max 5°E (~37cStokes or mm<sup>2</sup>/s). Opening time ~15ms. Closing time ~15ms.

**COIL** - For continuous duty in AC (alternate current) and in DC (direct current). Coil in class "F" (+155°C) wound by class "H" wires (+180°C) vacuum impregnated by polyester resin and encapsulated into glass fibre reinforced PBT (polybutylene-terephthalate).

Ambient temperature from -10°C to +60°C.

Standard voltages 24-110-220-230V/50-60Hz and 12-24 V DC.

Voltage tolerance +10% -15% (50Hz frequency), +10% -10%AC (60Hz frequency), +10% -5% DC.

Electric plug connection (DIN 46340) or suitable for 3 poles connectors.

Protection degree IP65 as per EN 60529 if the coil is duly fitted with its plug connector.

Port size	Orifice size (mm)	Max pressure (bar)				Kv (m <sup>3</sup> /h)	Series and type		Power absorption			Seals	Notes	Weight (kg)
		Gases		Liquids			Valve	Coil	AC (VA)		DC (W)			
		AC	DC	AC	DC				Inrush	Holding				
-	1,6	13	10	8	8	0,08	L330B16	Z610A	16	10	6	NBR	N.C.	0,140
							L330B22						N.O.	0,150
							L330V16					FPM	N.C.	0,140
							L330V22						N.O.	0,150

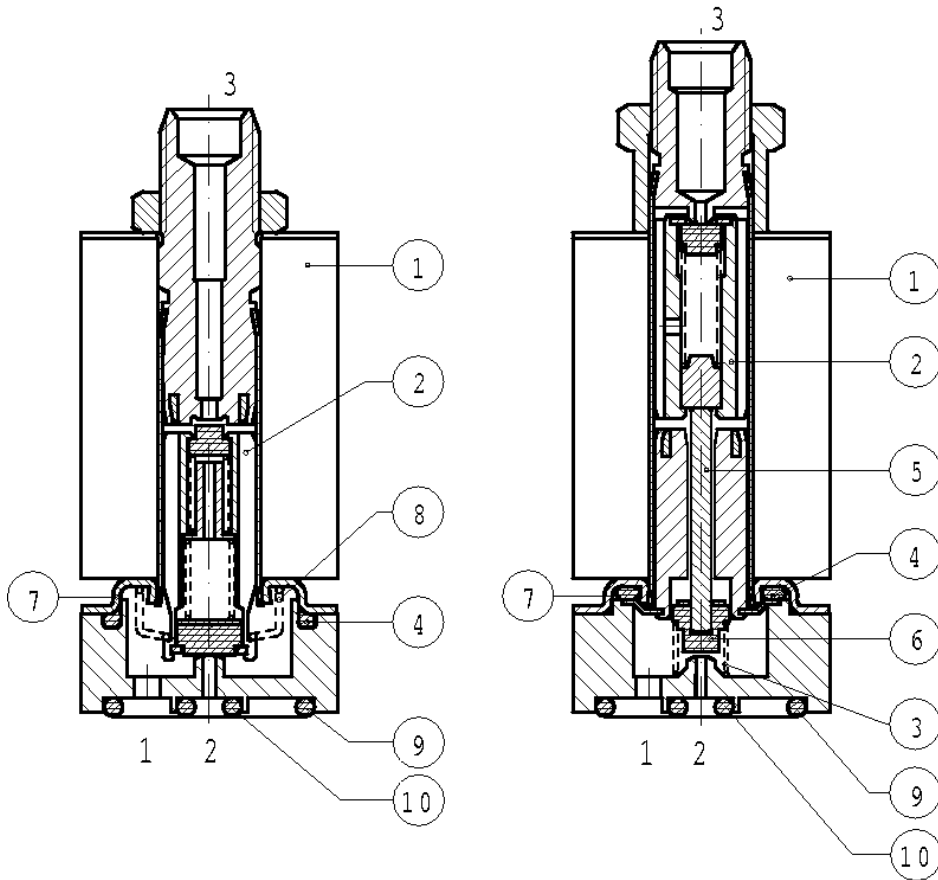
- NOTES**
- Seal: NBR = Nitrile butylene elastomer FPM = Fluoro carbon elastomer
  - Other voltages and frequencies on request.
  - In case of disassembling of the coil, the fixing bolt has to be tightened at 3 Nm max. torque.

# SPARE PARTS

## Series L330B-V16-V22

L330 BV16

L330 BV22



### Kit Description

### Kit P.N.

### Consisting of:

Core kit L330B22  
L330V22

G2559601  
G2559602

Core pos. 2  
Push-rod group pos. 5  
O-ring for guide assembly pos.4

Core kit L330B16  
L330V16

G2938401  
G2938402

Core pos.2  
Core return springs 8  
O-ring for guide assembly pos.4

Return sealing spring kit L330B-V22

G2334101

N. 10 Return sealing springs pos. 3

Core return spring kit L330B-V16

G2547701

N. 10 Core return springs pos. 8

O-rings for guide assembly L330B22  
O-rings for guide assembly L330V22  
O-rings for guide assembly L330B16  
O-rings for guide assembly L330V16

GU2421000015  
GU2424000015  
GU2421000017  
GU2424000017

N. 10 O-rings for guide assembly pos.4

O-rings body kit  
O-rings body kit

GU2421000017  
GU2421000003

N. 10 O-rings body pos. 9  
N. 10 O-rings body pos. 10

Sealing kit L330B22  
Sealing kit L330V22

G2321801  
G2321802

N° 10 sealings pos. 6  
N° 10 sealings pos. 6

Guide pipe assembly L330B-V22  
Guide pipe assembly L330B-V16

2332801  
2288601

Guide pipe assembly pos. 7  
Guide pipe assembly pos. 7

Coil Z610A

Coil pos. 1

NB - THE VALIDITY OF REPORTED DATA IS REFERRED TO THE DATE OF ISSUE. POSSIBLE UPDATING ARE AVAILABLE ON REQUEST