



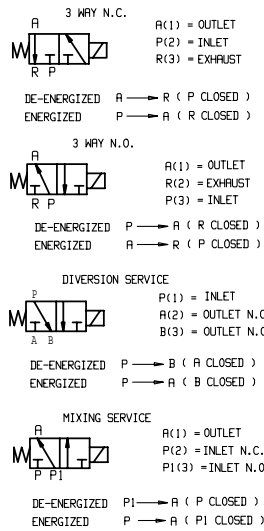
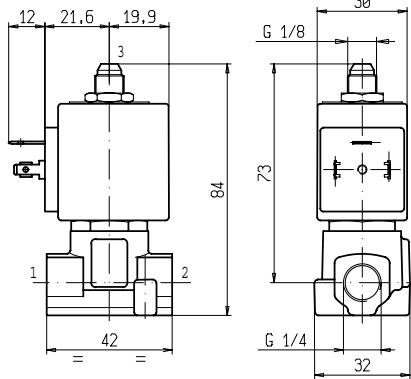
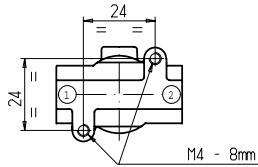
SOLENOID VALVE

3/2 - NC - NO - UF (Universal function)

Direct acting

G 1/4

L321



► GENERAL FEATURES

Direct acting solenoid valve.
 Suitable to shut off liquid and gaseous fluids (verify the compatibility of fluid with materials in contact).
 Not suitable for use with dangerous fluids listed in Group 1, therefore they are free from CE marking in conformity with article 3 § 3 of the European Directive 97/23/EC (Pressure Equipment Directive).

► MATERIALS IN CONTACT WITH FLUID

Body Brass
Sealing NBR or FPM
Internal components Stainless steel
Seat Brass
Guide assembly Stainless steel

► TECHNICAL FEATURES

Opening time ~20ms
Closing time ~20ms
Fluid temperature -10°C +90°C (NBR)
 0°C +130°C (FPM)
Max viscosity 5°E (~37 cStokes or mm²/s)

► COIL

Continuous duty ED 100%
Coil impregnation Polyester resin
Encapsulation material PTB (polybutylene-terephthalate) glass fibre reinforced
Coil insulation class F (155 °C) on request class H (180°C) - UL
Ambient temperature -10 C° +50 °C
Electric connenctions DIN 46340- 3 poles connectors (DIN 43650)
Protection degree IP 65 (EN 60529) with plug connector
Voltages DC ZA30E: 12-24V (+10% -5%)
 AC ZA30A: 24V/50Hz - 110V/50Hz (120V/60Hz) - 230V/50Hz (+10% -15%)
 (Other voltages and frequencies on request).

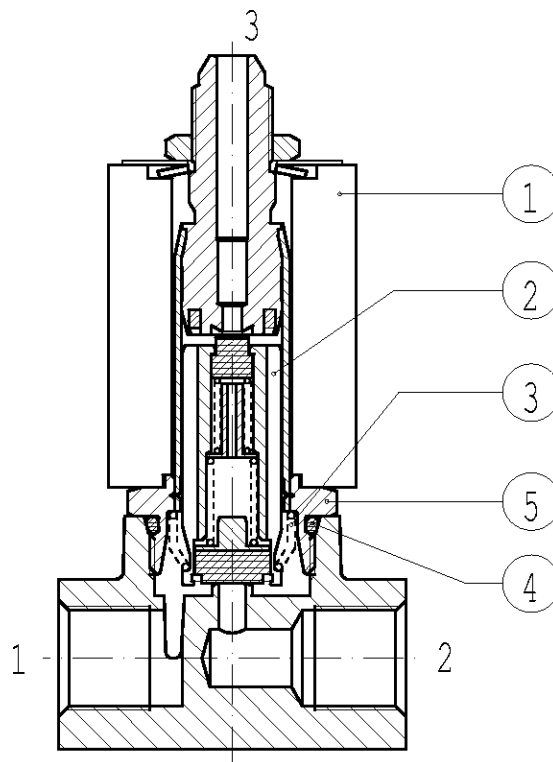
Port size ISO 228	Orifice size (mm)	Differential pressure (bar)				Kv (m ³ /h)	Series and type		Power absorption			Sealings	Function Notes	Weight (kg)	
		Δp min	Δp max				Valve	Coil	AC (VA)		DC (W)				
			AC	DC	AC				DC	Inrush					Holding
G 1/4	2,3	0	8	-	8	-	0,14	L321B02C	ZA30A	23	14	-	NBR	NC	0,380
			-	8	-	8			ZA30E	-	-	12			
			8	-	8	-		L321V02C	ZA30A	23	14	-	FPM	NC	
			-	8	-	8			ZA30E	-	-	12			
			8	-	8	-		L321B02A	ZA30A	23	14	-	NBR	NO	
			-	8	-	8			ZA30E	-	-	12			
			5	-	5	-		L321B02G	ZA30A	23	14	-	NBR	UF	
			-	5	-	5			ZA30E	-	-	12			
			5	-	5	-		L321V02G	ZA30A	23	14	-	FPM	UF	
			-	5	-	5			ZA30E	-	-	12			

► NOTES

- Sealings : NBR = Nitrile-butylene elastomer FPM = Fluoro-carbon elastomer
 - NC: Normally closed NO: Normally open UF: Universal function

L321

► SPARE PARTS



Kit description

Kit P.N.

Consisting of:

Core kit	L321B02C L321V02C L321B02A L321B02G L321V02G	G3065902 G3065901 G3064901 G3065102 G3065101	Core pos. 2 Core return spring pos. 3 OR guide assembly pos. 4
Core return spring kit	L321B-V02C L321B02A L321B-V02G	G3065701 G3063601 G3022401	N.10 core return spring pos. 3
OR guide assembly kit	L321B02C-A-G L321V02C-G	GU2421000017 GU2424000017	N.10 OR guide assembly pos. 5
Guide pipe assembly		3027601	Guide pipe assembly pos. 5
Coil	ZA30A ZA30E		Coil pos. 1

► MOUNTING

Solenoid valve can be mounted in any position; vertical with coil upwards preferred.