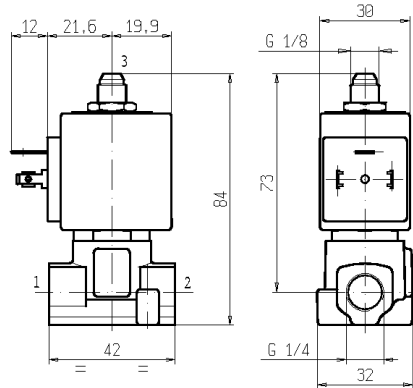
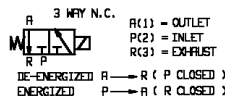
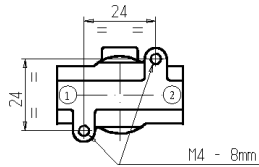




L321D01C

3/2 - SOLENOID VALVE - Normally closed (N.C.) Series L321D01C - Coil ZA30A - ZA30E - G 1/4

ISO 9001



NON STANDARD

FEATURES - Direct acting solenoid valve, suitable to shut off liquid and gaseous media compatible with the valve materials.

MOUNTING - In any position, vertical with coil upwards preferred.

VALVE - Brass body. Internal parts in stainless steel, seat in stainless steel. Seals as per table. Medium temperature from -10°C to +140°C. Viscosity max 5°E (~37cStokes or mm²/s). Opening time ~20ms. Closing time ~20ms.

COIL - Rated for continuous duty in AC (alternate current) or DC (direct current). Coil in class "F" (+155°C) wound by class "H" wires (+180°C) vacuum impregnated by polyester resin and encapsulated into glass fibre reinforced PBT (polybutylene-terephthalate). Ambient temperature from -10°C to +50°C

Standard voltages 24V/50Hz-110V/50Hz (120V/60Hz)-220V/50Hz (240V/60Hz)-230V/50Hz ZA30A and 12-24V DC ZA30E.

Voltage tolerance +10% -15% AC and +10% -5% DC

Electric plug connection (DIN 46340) or suitable for 3 poles connectors (DIN 43650).

Protection degree IP65 as per EN 60529 if the coil is duly fitted with its plug connector.

Port size ISO 228	Orifice size (mm)	Max pressure (bar)				Kv (m ³ /h)	Series and type		Power absorption			Seals	Notes	Weight (kg)
		Gases		Liquids			Valve	Coil	AC (VA)		DC (W)			
		AC	DC	AC	DC				Inrush	Holding				
G 1/4	3,2	3	-	3	-	0,3	L321 D01C	ZA30A	23	14	-	EPDM	1	0,310
		-	3	-	3			ZA30E	-	-	12			

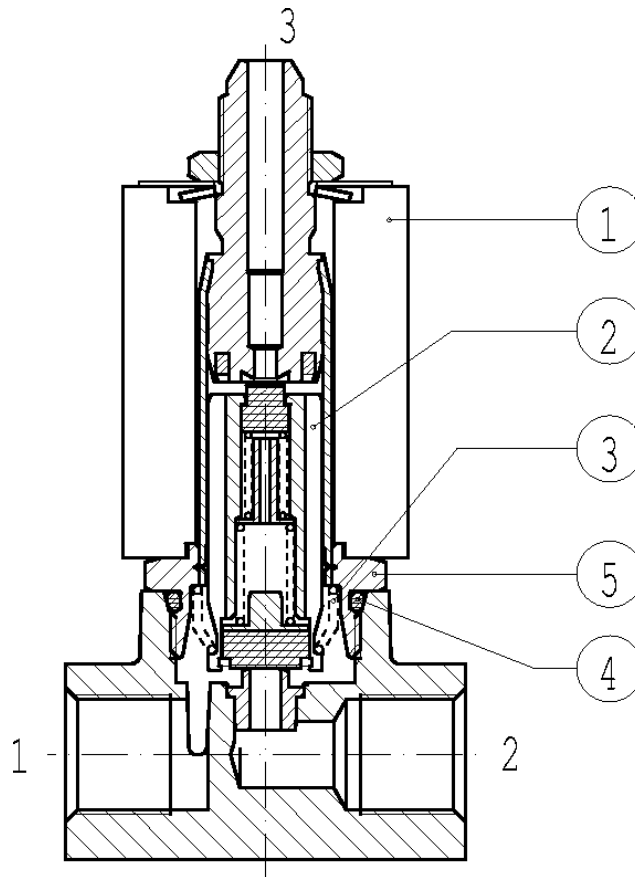
NOTES

- Upper exhaust (3) with seat diameter 2,3 mm
- Seal: EPDM=Ethylene-propylene elastomer
- Other voltages and frequencies on request.

1 - On request coil ZA34A and ZA34E encapsulated into PPS (polyphenylene-sulfide) class "H" (+180°C), max ambient temperature +80°C.

SPARE PARTS

Séries L321D01C



NON STANDARD

Kit description

Core kit
Core spring kit
OR for guide assembly
Guide pipe assembly
Coil ZA30A
 ZA30E

Kit P.N.

G3038401
G3022401
GU2423000017
3027601

Consisting of :

Coil pos. 1
Core pos. 2
N. 10 Core return springs pos. 3
N° 10 Guide group OR pos. 4
Guide pipe assembly pos. 5

NB - THE VALIDITY OF REPORTED DATA IS REFERRED TO THE DATE OF ISSUE. POSSIBLE UPDATING ARE AVAILABLE ON REQUEST