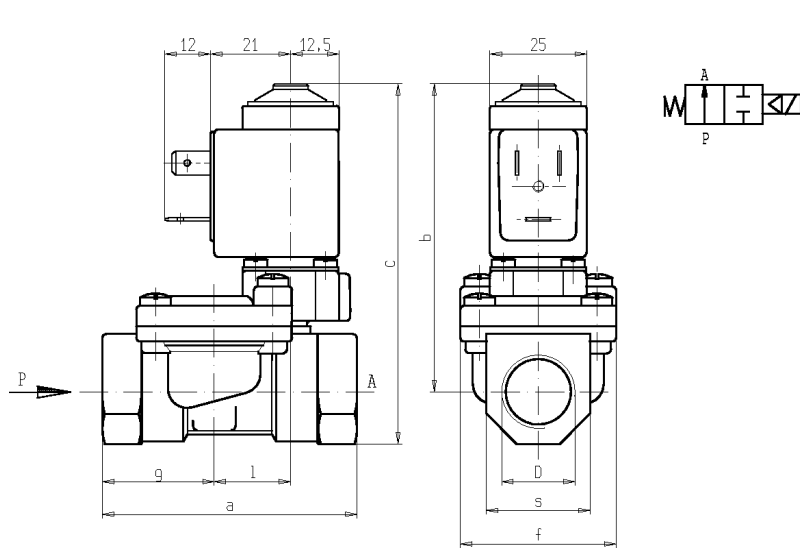




2/2 - SOLENOID VALVE - Normally open (N.O.)
Series L280 - Coil Z610A - from G 3/8 ÷ 1

ISO 9001



D	a	b	c	f	g	l	s
G 3/8	60	79	89	40	25,5	20	22
G 1/2	66	80	93,5	40	29	20	27
G 3/4	79	86	102,5	50	35,5	24,5	33
G 1	105	100	121	71	46	28	42

FEATURES - Indirect acting diaphragm valve having full orifice. Designed in different models to shut off liquid and gaseous media compatible with the valve materials. Minimum operating pressure is needed.

MOUNTING - In any position, vertical with coil upwards preferred.

VALVE – Brass body. Internal parts in brass and stainless steel. Seals as per table. Medium temperature from -10°C to +90°C (NBR), from 0°C to +130°C (FPM). Max viscosity 5°E (~37cStokes or mm²/s). Opening time from ~300ms to ~1500ms. Closing time from ~1000ms to ~2000ms.

COIL - Rated for continuous duty, in AC (alternate current.) or DC (direct current). Coil in class "F" (+155°C) wound by wires in class "H" (+180°C) vacuum impregnated by polyester resin and encapsulated into glass fibre reinforced PBT (polybutylene-terephthalate).

Ambient temperature from -10°C to +60°C.

Standard voltages 24-110(120V/60Hz)-220-230 V/50-60Hz and 12-24 V DC

Voltage tolerance +10% -15% AC and +10% -5% DC.

Electric plug connection (DIN 46340) or suitable for 3 poles connectors.

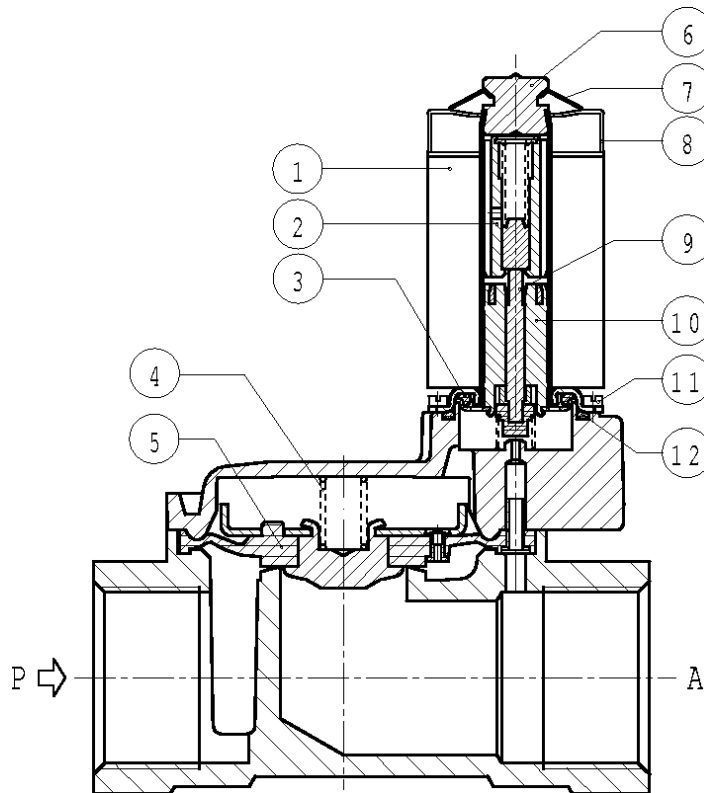
Protection degree IP65 as per EN 60529 if the coil is duly fitted with its plug connector.

Port size ISO 228	Orifice Size (mm)	Min P (bar)	Max pressure (bar)				Kv (m³/h)	Series and type		Power absorption			Seals	Notes	Weight (kg)
			Gases		Liquids			Valve	Coil	AC (VA)		DC (W)			
			c.a.	c.c.	c.a.	c.c.				Inrush	Holding				
G 3/8	11,5	0,35	12	12	12	12	L280B6	Z610A	16	10	6	NBR	-	0,375	
G 1/2	11,5													2,1	0,445
G 3/4	18													5	0,595
G 1	24													11	1,165
G 3/8	11,5		10	10	10	10	L280V6	Z610A	16	10	6	FPM	-	0,375	
G 1/2	11,5													2,1	0,445
G 3/4	18													5	0,595
G 1	24													11	1,165

NOTES - Operation with gaseous media without any outlet restriction, can reduce the diaphragm life.
 - Seal: NBR = Nitrile-butylene elastomer FPM = Fluoro carbon elastomer
 - Other voltages and frequencies on request.

SPARE PARTS

Series L280



Kit description		Kit P.N.	Consisting of:
Core kit	L280B6	G2642201	Fixed core group pos. 10 OR for fixed core group pos. 12 Core pos. 2
	L280V6	G2642202	Push-rod group pos. 9 Guide assembly pos. 6 OR for guide assembly pos. 3 Elastic ring pos. 7 Spacing collar pos. 8 n. 4 fixing screws pos. 11
OR for plugnut group kit	L280B6	GU2421000015	n. 10 OR for plugnut group pos. 3
	L280V6	GU2424000015	n. 10 OR for plugnut group pos. 3
OR for guide assembly	L280B6	GU2421000017	n. 10 Guide group OR pos. 12
	L280V6	GU2424000017	n. 10 Guide group OR pos. 12
Diaphragm spring kit	G3/8 - 1/2	G2424101	n. 10 Diaphragm springs pos. 4
	G3/4	G1844501	
	G1	G2380201	
Diaphragm assembly	G3/8 - 1/2 B6	2782501	Diaphragm assembly pos. 5
	G3/4 B6	2299701	
	G1 B6	2380101	
	G3/8 - 1/2 V6	2782502	
	G3/4 V6	2299702	
	G1 V6	2380102	
Guide pipe assembly	L280B6-V6	2633901	Guide pipe assembly pos. 6
Coil Z610A			Coil pos. 1

NB - THE VALIDITY OF REPORTED DATA IS REFERRED TO THE DATE OF ISSUE. POSSIBLE UPDATING ARE AVAILABLE ON REQUEST