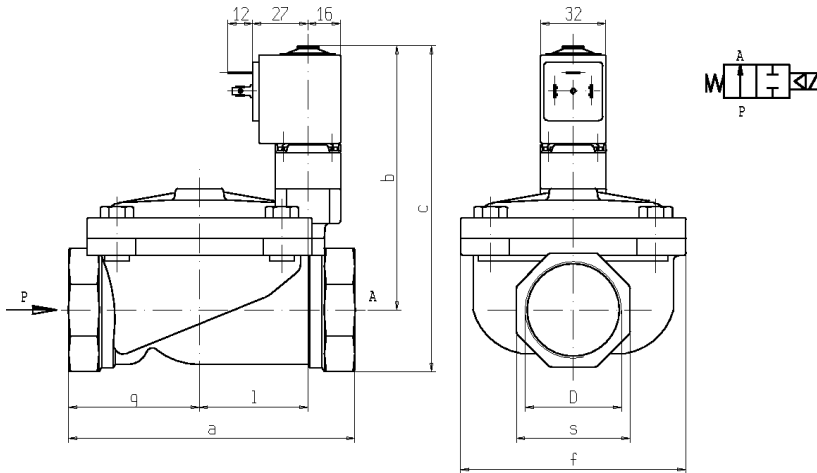




## 2/2 - SOLENOID VALVE - Normally open (N.O.)

Series **L280B-V40** - Coil Z530A - from G 1 1/4+G 2

ISO 9001



D	a	b	c	f	g	l	s
G 1 1/4	113	109	135	81	50	40	52
G 1 1/2	140	112	142	110	60	53	60
G 2	145	117	153	110	66	53	72

**FEATURES** - Indirect acting diaphragm valve having full orifice. Designed in different models to shut off liquid and gaseous media compatible with the valve materials. Minimum operating pressure is needed.

**MOUNTING** - In any position, vertical with coil upwards preferred.

**VALVE** - Brass body. Internal parts in brass and stainless steel. Seals as per table. Medium temperature from -10°C to +90°C (NBR), from 0°C to +130°C (FPM). Max viscosity 5°E (~37cStokes or mm²/s). Opening time from ~300ms to ~1500ms. Closing time from ~1000ms to ~2000ms.

**COIL** - Rated for continuous duty, in AC (alternate current) or DC (direct current). Coil in class "F" (+155°C) wound by wires in class "H" (+180°C) vacuum impregnated by polyester resin and encapsulated into glass fibre reinforced PBT (polybutylene-terephthalate).

Ambient temperature from -10°C to +60°C.

Standard voltages 24/50Hz-110/50Hz (120/60Hz)-220/50Hz (240/60Hz)-230V/50Hz and 12-24 V DC.

Voltage tolerance +10% -15% AC and +10% -5% DC.

Electric plug connection (DIN 46340) or suitable for 3 poles connectors (DIN 43650).

Protection degree IP65 as per EN 60529 if the coil is duly fitted with its plug connector.

Port size ISO 228	Orifice Size (mm)	Min P (bar)	Max pressure (bar)				Kv (m³/h)	Series and type		Power absorption			Seals	Notes	Weight (kg)	
			Gases		Liquids			Valve	Coil	AC (VA)		DC (W)				
			AC	DC	AC	DC				Inrush	Holding					
G 1 1/4	30	0,50	10	10	10	10	L280B40	Z530A	23	14	9	NBR	-	1,910		
G 1 1/2	45													2,960		
G2	45													3,320		
G 1 1/4	30													L280V40	FPM	1,910
G 1 1/2	45															2,960
G2	45															3,320

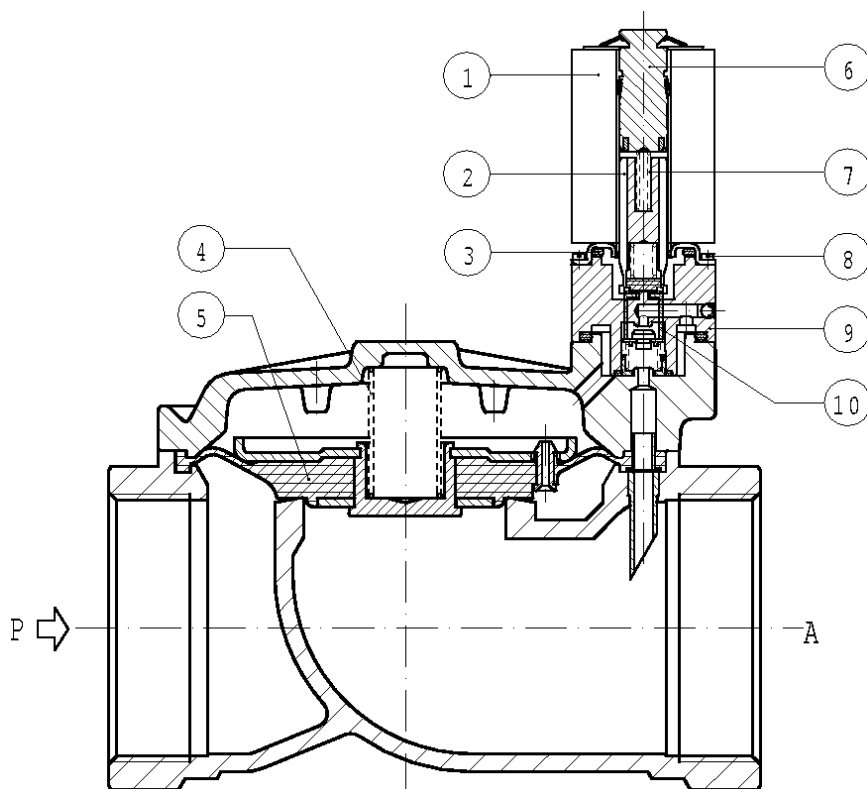
**NOTES** - Operation with gaseous media without any outlet restriction, can reduce the diaphragm life.

- Seal: NBR = Nitrile-butylene elastomer FPM = Fluoro carbon elastomer

- Other voltages and frequencies on request.

## SPARE PARTS

### Series L280B-V40



Kit Description	Kit P.N.	Consisting of:
Core kit	L280B40 G2965101	Core pos. 2
	L280V40 G2965102	Core OR pos. 3 Core return spring pos. 7
Reversing group kit	L280B40 G2965201	Reversing block pos. 9
	L280V40 G2965202	Core return spring pos. 7 n. 4 fixing screws pos. 8 Fork pos. 10
OR for guide assembly	L 280B40 GU2421000053	n. 10 Guide group OR pos. 3
	L 280V40 GU2424000053	
Diaphragm spring kit	G1 1/4 G2401101	n. 10 Diaphragm springs pos. 4
	G 1 1/2 - 2 G2401501	
Diaphragm assembly	G1 1/4 B40 2400801	Diaphragm assembly pos. 5
	G1 1/2 - 2 B40 2401301	
	G1 1/4 V40 2400802	
	G1 1/2 - 2 V40 2401302	
Guide pipe assembly	2604401	Guide pipe assembly pos. 6
Coil Z530A		Coil pos. 1

NB - THE VALIDITY OF REPORTED DATA IS REFERRED TO THE DATE OF ISSUE. POSSIBLE UPDATING ARE AVAILABLE ON REQUEST