

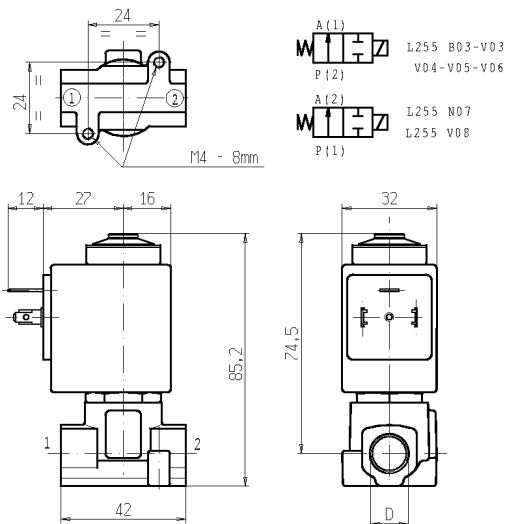


2/2 - SOLENOID VALVE - Normally open (N.O.)

Series L255 - Coil Z510A - G 1/8 - 1/4

ISO 9001

NON STANDARD



FEATURES - Direct acting solenoid valve designed to shut off liquid and gaseous media compatible with the valve materials.

MOUNTING - In any position, vertical with coil upwards preferred.

VALVE - Brass body. Internal parts in stainless steel. Seals as per table. Models with seat in stainless steel. Medium temperature from -10°C to +90 (NBR), from 0°C to +130°C (FPM), from -10°C to +90°C (CR70N). Viscosity max 5°E (~37cStokes or mm²/s). Opening time ~20ms. Closing time ~20ms.

COIL - Rated for continuous duty in AC (alternate current) or DC (direct current). Coil in class "F" (+155°C) wound by class "H" wires (+180°C) vacuum impregnated by polyester resin encapsulated into glass fibre reinforced PBT (polybutylene-terephthalate). Ambient temperature from -10°C to +60°C.

Standard voltages 24/50Hz-110/50Hz (120/60Hz)-220/50Hz (240/60Hz)-230V/50 Hz and 12-24 V DC

Voltage tolerance +10% -15% AC and +10% -5% DC.

Electric plug connection (DIN 46340) or suitable for 3 poles connectors (DIN 43650).

Protection degree IP65 as per EN 60529 if the coil is duly fitted with its plug connector.

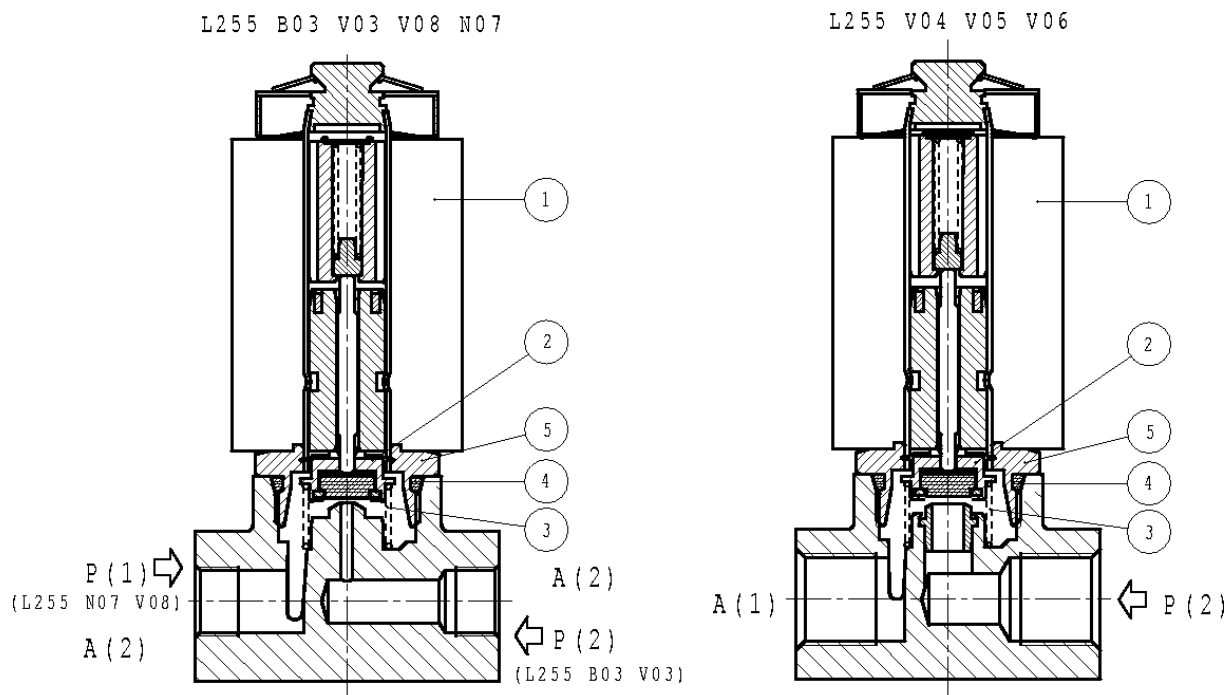
Port size ISO-228	Orifice size (mm)	Max pressure (bar)				Kv (m³/h)	Series and type		Power absorption			Seals	Notes	Weight (kg)
		Gases		Liquids			Valve	Coil	AC (VA)		DC (W)			
		AC	DC	AC	DC				Inrush	Holding				
G 1/8	1,6	25	25	22	22	0,08	L255N07					1		
	2	21	21	21	21	0,12								
	2,3	15	15	12	12	0,16								
G 1/4	3	10	10	8	8	0,29	L255V08	Z510A	23	14	9	FPM	-	0,365
	3,2	5	5	5	5	0,30	L255B03					NBR	2-3	
							L255V03					FPM	2-3-4	
							L255V04						2-3-4-5	
							L255V06					NBR	2-3	
	4,5	2,5	2,5	2,5	2,5	0,45	L255B03					FPM	2-3	
							L255V03						2-3-4	
							L255V04					2-3-4-6		
							L255V05					-	-	

NOTES - Seal: NBR = Nitrile-butylene elastomer FPM = Fluoro-carbon elastomer
CR70N = Chloroprenic elastomer

- Other voltages and frequencies on request.
- 1 - Version suitable for refrigerating media (CFC 12 and HFC 134a).
- 2 - The use of these valves with free outlet reduces the max pressure by ~30%: the max. pressure is unchanged if the valve is closed i.e. with energized coil.
- 3 - Suitable for vacuum at port "P" ($P_{outlet} - P_{inlet} = 1 \text{ bar}$)
- 4 - With stainless steel seat. On request coil type Z514A encapsulated in PPS (polyphenylene-sulfide) class "H" (+180°C) maximum ambient temperature +80°C.
- 5 - Both body and shading ring are chemically nickel coated (Ni-P).
- 6 - Silent model.

SPARE PARTS

Series L255



Kit Description

Kit P.N.

Consisting of:

Core sealing assembly kit L255B03 Ø 3,2 L255V03-V04-V06 Ø 3,2	G3014301 G3014302	Sealing group pos. 2 Sealing return spring pos. 3
Core sealing assembly kit L255B03 Ø 4,5 L255V03-V04-V05 Ø 4,5	G3014201 G3014202	Sealing group pos. 2 Sealing return spring pos. 3
Core sealing assembly kit L255N07 Ø 1,6 L255N07 Ø 2 - Ø 2,3	G3014601 G3014401	Sealing group pos. 2 Sealing return spring pos. 3
Core sealing assembly kit L255V08 Ø 3	G3014301	Sealing group pos. 2 Sealing return spring pos. 3
Sealing return spring kit B-V03-04-V06 Ø 3,2	G3013301	N° 10 sealing return spring pos. 3
Sealing return spring kit B-V03-04-V05 Ø 4,5	G3013301	N° 10 sealing return spring pos. 3
Sealing return spring kit N07 Ø 1,6	G3013301	N° 10 sealing return spring pos. 3
Sealing return spring kit N07 Ø 2 - Ø 2,3	G3013301	N° 10 sealing return spring pos. 3
Sealing return spring kit V08 Ø 3	G3013301	N° 10 sealing return spring pos. 3
OR guide assembly kit L255B03	GU2421000017	N. 10 OR guide assembly pos. 4
OR guide assembly kit L255V03-04-05-06-V08	GU2424000017	N. 10 OR guide assembly pos. 4
OR guide assembly kit L255N07	GU2439000017	N. 10 OR guide assembly pos. 4
Guide pipe assembly L255B03-V03-V04-V06-V08-N07	3011401	Guide pipe assembly pos. 5
Guide pipe assembly L255V05	3015301	Guide pipe assembly pos. 5
Coil Z510A		Coil pos. 1

NB - THE VALIDITY OF REPORTED DATA IS REFERRED TO THE DATE OF ISSUE. POSSIBLE UPDATING ARE AVAILABLE ON REQUEST