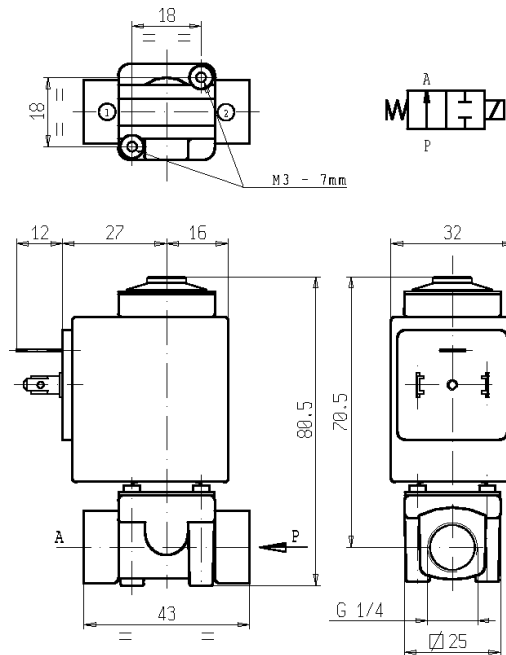




**L228V06**

**2/2 - SOLENOID VALVE - Normally open (N.O.)**  
**Series L228V06 - Coil Z510A - G 1/4**

**ISO 9001**



**FEATURES** - Direct acting solenoid valve, designed to shut off overheated water, steam and other liquid and gaseous media compatible with the valve materials.

**MOUNTING** - In any position, vertical with coil upwards preferred.

**VALVE** - Both brass body and copper shading ring are chemically nickel plated (Ni-P). Seat and internal parts in stainless steel. Seals as per table. Medium temperature from 0°C to +130°C. Viscosity max 5°E (~37cStokes or mm<sup>2</sup>/s). Opening time ~20ms. Closing time ~20ms.

**COIL** - Rated for continuous duty in AC (alternate current) or DC (direct current). Coil in class "F" (+155°C) wound by class "H" wires (+180°C) vacuum impregnated by polyester resin moulded into glass fibre reinforced PBT (polybutylene-terephthalate).

Ambient temperature from -10°C to +60°C.

Standard voltages 24V/50Hz - 110V/50Hz (120V/60Hz) - 230V/50Hz and 12-24V DC.

Voltage tolerance +10% -15% AC and +10% -5% DC.

Electric plug connection (DIN 46340) or suitable for connectors (DIN 43650).

Protection degree IP65 as per EN 60529 if the coil is duly fitted with its plug connector.

NON STANDARD

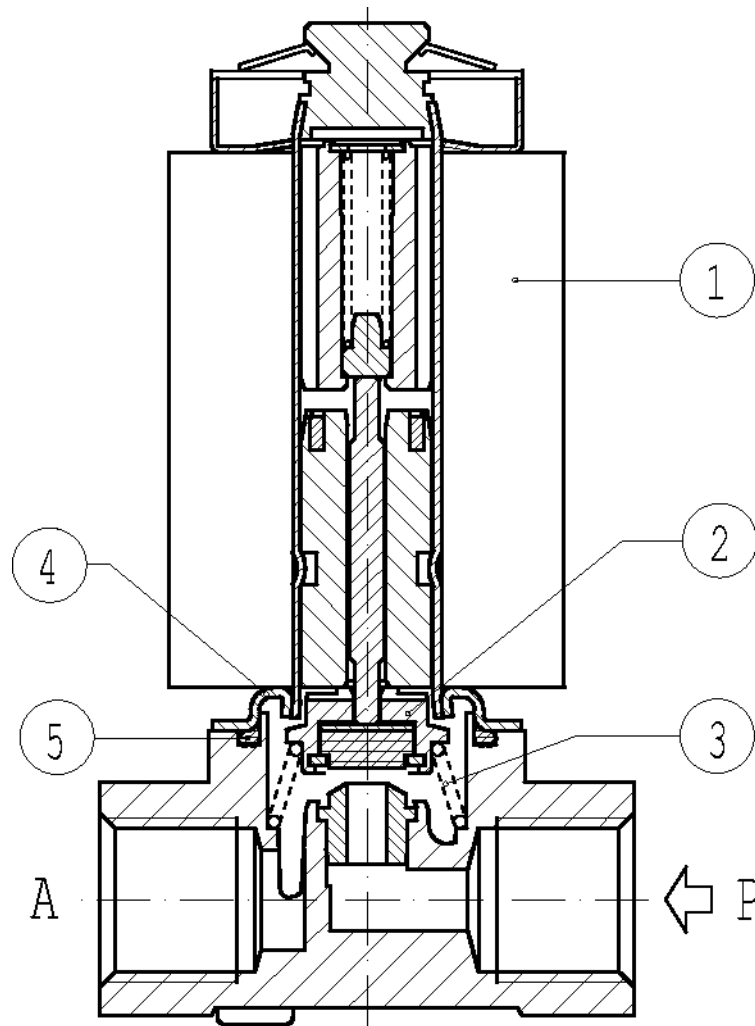
Port size ISO 228	Orifice size (mm)	Max pressure (bar)				Kv (m <sup>3</sup> /h)	Series and type		Power absorption			Seals	Notes	Weight (kg)
		Gases		Liquids			Valve	Coil	AC (VA)		DC (W)			
		AC	DC	AC	DC				Inrush	Holding				
G 1/4-	3,2	5	5	5	5	0,3	L228V06	Z510A	23	14	9	FPM	1-2-3	0,340

**NOTES**

- Seal: FPM = Fluoro-carbon elastomer.
- Other voltages and frequencies on request.
- 1 - The use of these valves with free outlet reduces the max pressure by ~30%; the max. pressure is unchanged if the valve is closed i.e. with energized coil.
- 2 - For steam max pressure = 3 bar (+130°C)
- 3 - On request coil type Z514A moulded in PPS (polyphenylsulfure), class "H" (+180°C), ambient temperature +80°C max

## SPARE PARTS

### Series L228V06



NON STANDARD

#### Kit description

#### Kit P.N.

#### Consisting of :

Core sealing assembly kit

G2938102

Sealing group pos. 2

Sealing return spring kit

G2984801

N° 10 sealing return spring pos. 3

O-Ring for guide assembly

GU2424000017

N° 10 O-Rings for guide assembly pos. 5

Actuator group

2892802

Actuator group pos. 4

Coil Z510A

Coil pos. 1

NB - THE VALIDITY OF REPORTED DATA IS REFERRED TO THE DATE OF ISSUE. POSSIBLE UPDATING ARE AVAILABLE ON REQUEST