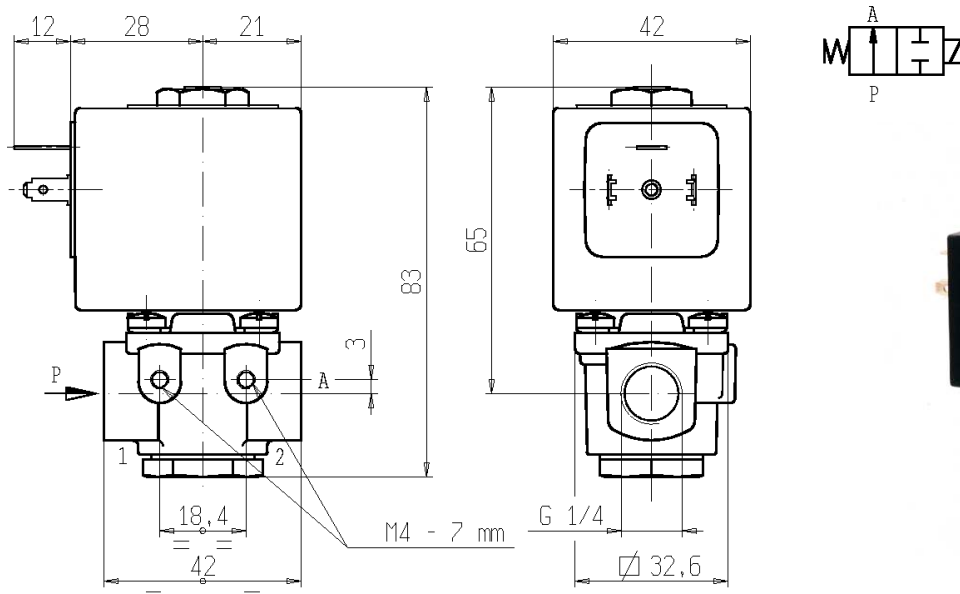




2/2 - SOLENOID VALVE - Normally open (N.O.)

Series **L209** - Coil Z110A - G 1/4

ISO 9001



FEATURES - Direct acting solenoid valve, designed to shut off liquid compatible with the valve materials.

MOUNTING - In any position, vertical with coil upwards preferred.

VALVE - Brass body. Internal parts in stainless steel. Model with both seal and seat in stainless steel. Medium temperature from -10°C to +170°C. Viscosity max 5°E (~37cStokes or mm²/s). Opening time ~30ms. Closing time ~30ms.

COIL - Rated for continuous duty in AC (alternate current) or DC (direct current). Coil in class "F" (+155°C) wound by class "H" wires (+180°C) vacuum impregnated by polyester resin and encapsulated into glass fibre reinforced PBT (polybutylene-terephthalate).

Ambient temperature from -10°C to +60°C.

Standard voltages 24/50Hz-110/50Hz-220/50Hz (240/60Hz)-230V/50Hz.

Voltage tolerance +10% -15% AC.

Electric plug connection (DIN 46340) or suitable for connectors (DIN 43650).

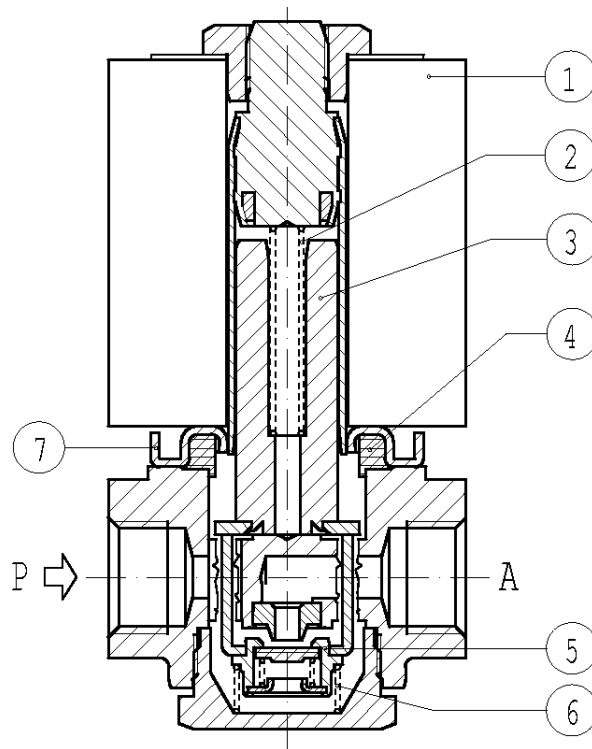
Protection degree IP65 as per EN 60529 if the coil is duly fitted with its plug connector.

Port size ISO 228	Orifice size (mm)	Max pressure (bar)				Kv (m ³ /h)	Series and type		Power absorption			Seals	Notes	Weight (kg)
		Gases		Liquids			Valve	Coil	AC (VA)		DC (W)			
		AC	DC	AC	DC				Inrush	Holding				
G 1/4	3	-	-	30	-	0,22	L209M11	Z110A	33	24	13	Stainless Steel	1-2	0,530

- NOTES**
- On request coil type Z114A molded in PPS (polyphenylsulfure) class "H" (+180°C) ambient temperature +80°C.
 - Gasket between core armature and body in FPM (Fluoro-carbon elastomer)
 - Other voltages and frequencies on request.
 - 1 - Suitable for hydraulic and fuel oils.
 - 2 - Model with seat in stainless steel.

SPARE PARTS

Series L209



Kit Description

Kit P.N.

Consisting of:

Core sealing assembly kit	G2671102	Core return spring pos. 2 Core pos. 3 OR guide group pos. 4 Sealing group pos. 5 Sealing return spring pos. 6
Gaskets guide assembly	G2143404	N. 10 Gaskets guide assembly pos. 4
Core return spring kit	G2436701	N. 10 core return springs pos. 2
Guide pipe assembly	2820302	Guide pipe assembly pos. 7
Coil Z110A		Coil pos. 1

NB - THE VALIDITY OF REPORTED DATA IS REFERRED TO THE DATE OF ISSUE. POSSIBLE UPDATING ARE AVAILABLE ON REQUEST