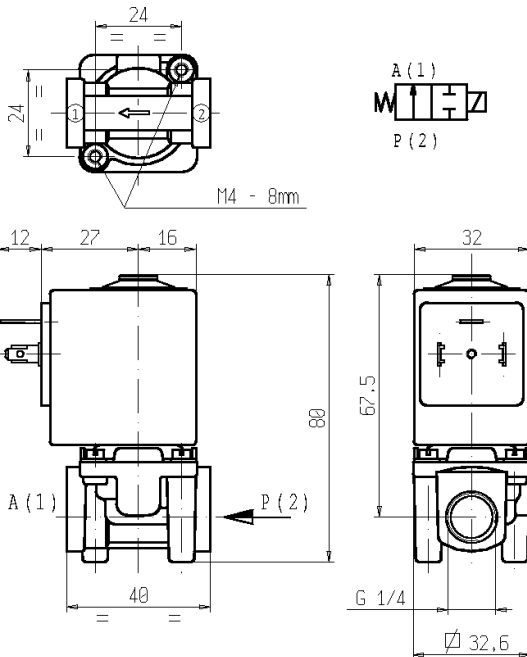




2/2 - SOLENOID VALVE - Normally open (N.O.)
Series L208 - Coil Z530A - G 1/4

ISO 9001



FEATURES - Direct acting solenoid valve, small body size, designed to shut off liquid and gaseous media compatible with the valve materials.

MOUNTING - In any position, vertical with coil upwards preferred.

VALVE - Brass body. Internal parts in stainless steel and PSU (Polysulphone) seat group. Seal as per table. Medium temperature from 0°C to +100°C. Viscosity max 5°E (~37cStokes or mm²/s). Opening time ~30ms. Closing time ~30ms.

COIL - Rated for continuous duty in AC (alternate current) or DC (direct current). Coil in class "F" (+155°C) wound by class "H" wires (+180°C) vacuum impregnated by polyester resin and encapsulated into glass fibre reinforced PBT (polybutylene-terephthalate).

Ambient temperature from -10°C to +60°C.

Standard voltages 24/50Hz-110/50Hz (120/60Hz)-220/50Hz (240/60Hz)-230V/50Hz and 12-24 V DC.

Voltage tolerance +10% -15% AC and +10% -5% DC.

Electric plug connection (DIN 46340) or suitable for 3 poles connectors (DIN 43650).

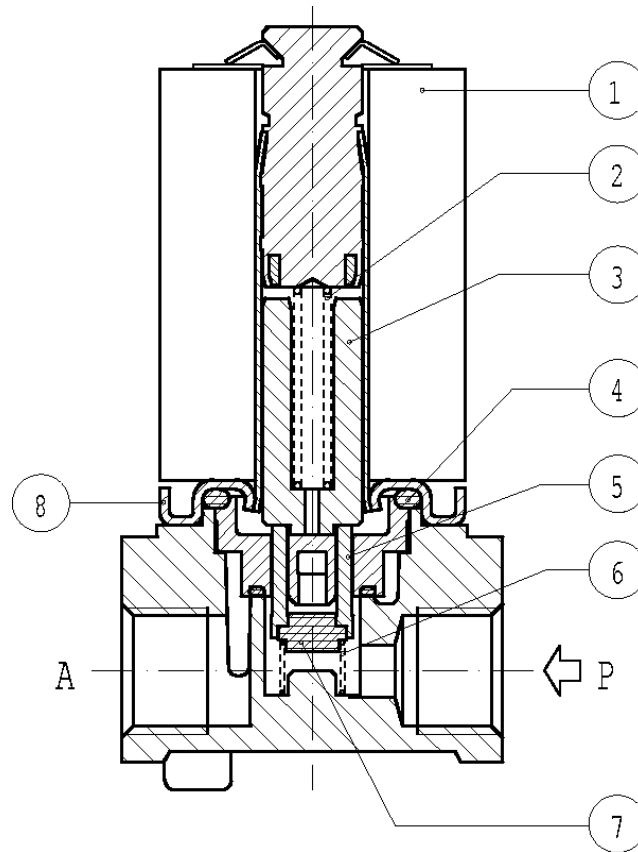
Protection degree IP65 as per EN 60529 if the coil is duly fitted with its plug connector.

Port size ISO 228	Orifice size (mm)	Max pressure (bar)				Kv (m ³ /h)	Series and type		Power absorption			Seals	Notes	Weight (kg)
		Gases		Liquids			Valve	Coil	AC (VA)		DC (W)			
		AC	DC	AC	DC				Inrush	Holding				
G 1/4	3	10	10	8	8	0,19	L208V2	Z530A	23	14	9	FPM	-	0,370

NOTES - Seal: FPM = Fluoro-carbon elastomer.
 - Other voltages and frequencies on request.

SPARE PARTS

Series L208



Kit Description	Kit P.N.	Consisting of:
Core kit	G2716401	Core return spring pos. 2 Core pos. 3 OR guide assembly pos.4 Pusher pos. 5 Sealing return spring pos. 6 Sealing disc pos. 7
Core return spring kit	G2714401	N.10 core return spring pos. 2
OR guide assembly kit	GU2442000053	N. 10 OR guide assembly pos. 4
Guide pipe assembly	2604402	Guide pipe assembly pos. 8
Coil Z530A		Coil pos. 1

NB - THE VALIDITY OF REPORTED DATA IS REFERRED TO THE DATE OF ISSUE. POSSIBLE UPDATING ARE AVAILABLE ON REQUEST