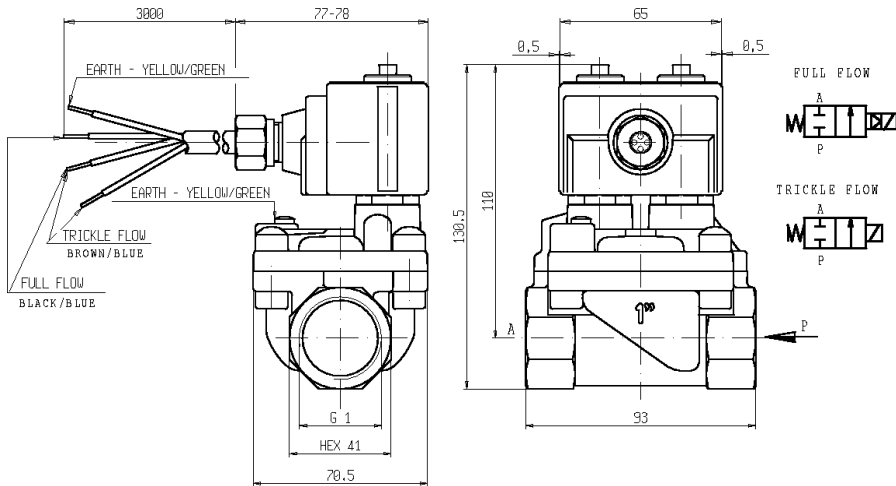




2/3 - SOLENOID VALVE - Normally closed (N.C.)
Series L188K1 – Rev. 2 - Coil Z598U

ISO 9001

NON STANDARD



FEATURES - Model for potentially explosive atmospheres. Code EEXm II CT4. - Approved solenoid valve with certificate of conformity Ex 94.D.9884. Normally closed 2 way solenoid valve designed to shut off gasolines and Diesel oils. Model with two actuators and double possibility of flow (full and trickle).

MOUNTING - In any position, vertical with coil upwards preferred.

VALVE - Brass body. Internal parts in brass and stainless steel. Diaphragm in Fluoro-silicone (FVQM). Static seals in Fluoro-carbon elastomer (FPM) . Opening time: 40ms. (full flow) 10-15 ms (trickle flow) . Closing time: 280-360 ms (full flow) 18-28 ms (trickle flow) with 2 bar inlet pressure.

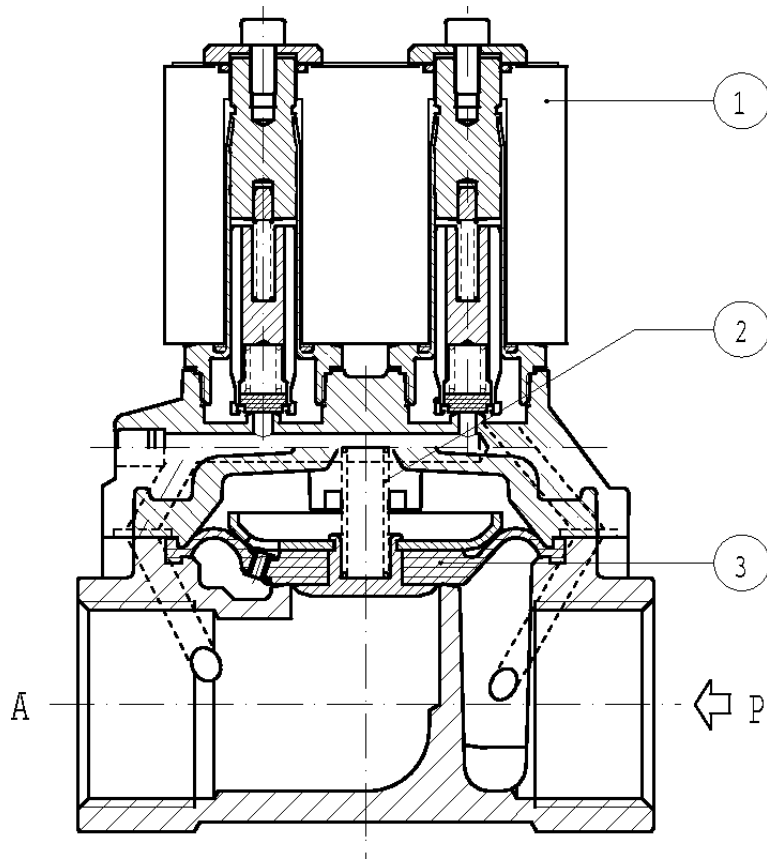
COIL - Two windings encapsulated in a single body and one cable with 4 flying leads (3 poles+earth) not detachable from the body. The coil has two separate independent electric supplies. Coil in class "F" (+155°C) wound by class "H" wires (+180°C) vacuum impregnated by polyester resin and encapsulated into glass fibre reinforced PBT (polybutylene-terephthalate). Rectifier bridge and diode for suppression of de-energizing over voltages are built-in.
 Standard voltages: 12-24-48-110-220-240V/50-60Hz.
 Power: 9 W (for each winding).
 Ambient temperature: -40°C to +80°C.
 Fluid temperature: -40°C to +70°C.
 Protection degree IP65 as per EN 60529.

Port size ISO228	Orifice size (mm)	Min P (bar)	Max P (bar)	Kv	USE	VALVE	COIL	POWER (W)	Seals	Notes	Weight (kg)
G 1	24	0,5	4	10	FULL FLOW	L188K1 (Rev. 2)	Z598U	9	FVQM	-	2,100
	2,7	0	4	0,16	TRICKLE FLOW			9	FPM		

NOTES - Seal: FVQM = Fluoro-silicone FPM = Fluoro-carbon elastomer.

SPARE PARTS

Series L188K1 – Rev. 2



Kit Description

Diaphragm assembly kit L188K1

Coil Z598U

Kit P.N.

G2941601

Consisting of:

Diaphragm assembly pos. 3
Diaphragm springs pos. 2

Coil pos. 1

NB – THE VALIDITY OF REPORTED DATA IS REFERRED TO THE DATE OF ISSUE. POSSIBLE UPDATING ARE AVAILABLE ON REQUEST