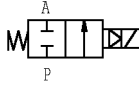
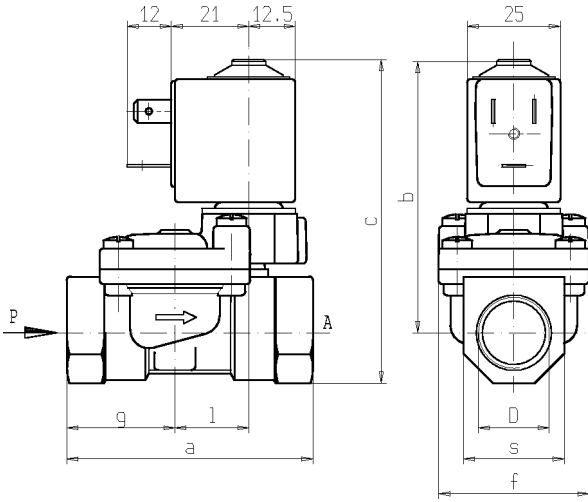




# L180

## 2/2 - SOLENOID VALVE - Normally closed (N.C.) Series L180 - Coil Z610A - G 3/8÷1

**ISO 9001**



D	a	b	c	e	f	g	m	n	l	s
G 3/8	60	71	82	25	40	25,5	21	12,5	20	22
G 1/2	66	73,5	87	25	40	29	21	12,5	20	27
G 3/4	79	79,5	96	25	50	35,5	21	12,5	24,5	33
G 1	105	93	114	25	71	46	21	12,5	28	42

**FEATURES** - Indirect acting diaphragm valve having full orifice, produced in different models to shut off liquid and gaseous media compatible with the valve materials. Minimum operating pressure is needed.

**MOUNTING** - In any position, vertical with coil upwards preferred.

**VALVE** - Brass body. Internal parts in brass and stainless steel. Seals as per table. Medium temperature from -10°C to +90°C (NBR), from 0°C to +130°C (FPM). Max viscosity 5°E (~37cStokes or mm²/s). Opening time from ~300ms to ~1500ms. Closing time from ~1000ms to ~2000ms.

**COIL** - Rated for continuous duty, in AC (alternate current) or DC (direct current). Coil in class "F" (+155°C) wound by class "H" wires (+180°C) vacuum impregnated by polyester resin and encapsulated into glass fibre reinforced PBT (polybutylene-terephthalate). Ambient temperature from -10°C to +60°C. Standard voltages 24-110-220-230V/50-60Hz and 12-24 V DC. Voltage tolerance +10% -15% AC and +10% -5% DC. Electric plug connection (DIN 46340) or suitable for 3 poles connectors. Protection degree IP65 as per EN 60529 if the coil is duly fitted with its plug connector.

Port size ISO 228	Orifice Size (mm)	Min P (bar)	Max pressure (bar)				Kv (m³/h)	Series and type			Power absorption			Seals	Notes	Weight (kg)	
			Gases		Liquids			Valve	Valve with manual override	Coil	AC (VA)		DC (W)				
			AC	DC	AC	DC					Inrush	Holdin g					
G 3/8	11,5	0,35	12 (10)	12 (10)	12 (10)	12 (10)	1,7	L180(*)17	L180(*)18	Z610A	16	10	6	(*) = B (NBR)	1	0,370	
G 1/2	13,5		16 (12)	16 (12)	16 (12)	16 (12)	3,8	L180(*)31	L180(*)32							(*) = V (FPM)	0,440
G 3/4	18		12 (10)	12 (10)	12 (10)	12 (10)	5	L180(*)17	L180(*)18							(*) = Q (NBR)	0,575
G1	24		11														

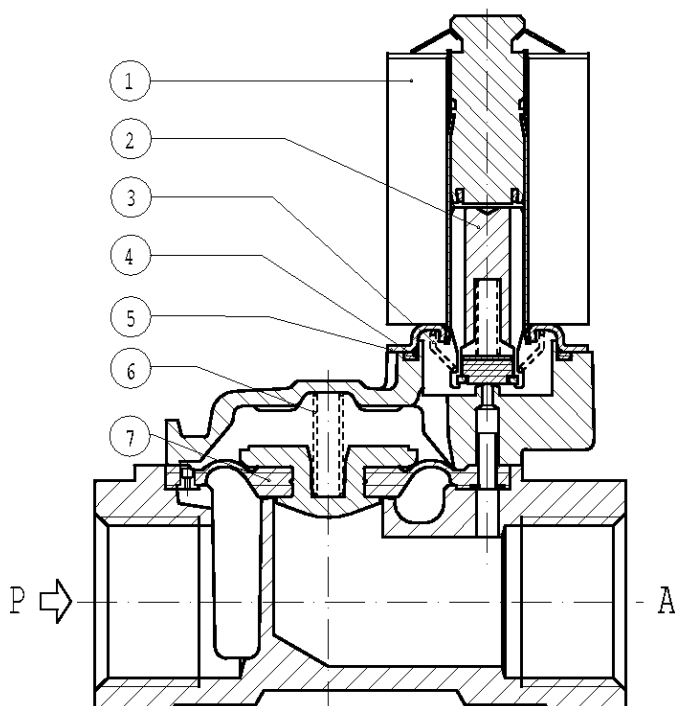
- NOTES**
- Operation with gaseous media at high pressure without any outlet restriction, can reduce the diaphragm life.
  - Seal: B(NBR) = Nitrile-butylene elastomer V(FPM) = Fluoro-carbon elastomer. Q(NBR) = Special nitrile-butylene elastomer (compound homologated WRAS).
  - Other voltages and frequencies on request.
  - L180Q17-L180Q18, WRAS approved solenoid valves, certificate n° 0010017 (ex WRC certificate n° 9505033).
  - L180Q31-L180Q32, WRC approved solenoid valves, certificate n° 9702004
  - 1 - The bracketed values of max pressure are related to valves with V(FPM) seals.

9809/0012

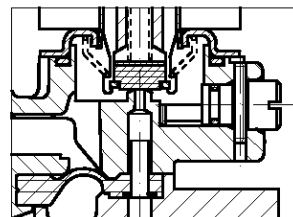
# SPARE PARTS

## Séries L180

L180 B-V-Q 17-31



L180 B-V-Q 18-32



### Kit description

### Kit P.N.

### Consisting of :

Core kit	L180B17-B18-B31-B32 L180V17-V18-V31-V32 L180Q17-Q18-Q31-Q32	G2937301 G2937303 G2937304	Core pos. 2 Core return spring pos. 3 OR guide assembly pos. 4
Core spring kit	L180B17-V17-B18-V18 L180B31-V31-B32-V32 L180Q17-Q18-Q31-Q32	G2927101	N.10 Core return springs pos. 3
Spring on diaphragm kit	G3/8 G1/2 G3/4 G1	G2424101 G2831901 G1844501 G2380201	N.10 Spring on diaphragm pos.6
OR guide assembly kit	L180B17-B18-B31-B32 L180V17-V18-V31-V32 L180Q17-Q18-Q31-Q32	GU2421000017 GU2424000017 GU2436000017	N° 10 OR guide assembly pos. 4
Diaphragm kit	3/8 B17-B18 1/2 B31-B32 3/4 B17-B18 1 B17-B18 3/8 V17-V18 1/2 V31-V32 3/4 V17-V18 1 V17-V18 3/8 Q17-Q18 1/2 Q31-Q32 3/4 Q17-Q18 1 Q17-Q18	2782501 2844302 2299701 2380101 2782502 2844303 2299702 2380102 2782507 2844301 2299707 2380104	Diaphragm assembly pos.7
Guide pipe assembly		2593201	Guide pipe assembly pos. 5
Coil	Z610A		Coil pos. 1

NB - THE VALIDITY OF REPORTED DATA IS REFERRED TO THE DATE OF ISSUE. POSSIBLE UPDATING ARE AVAILABLE ON REQUEST