

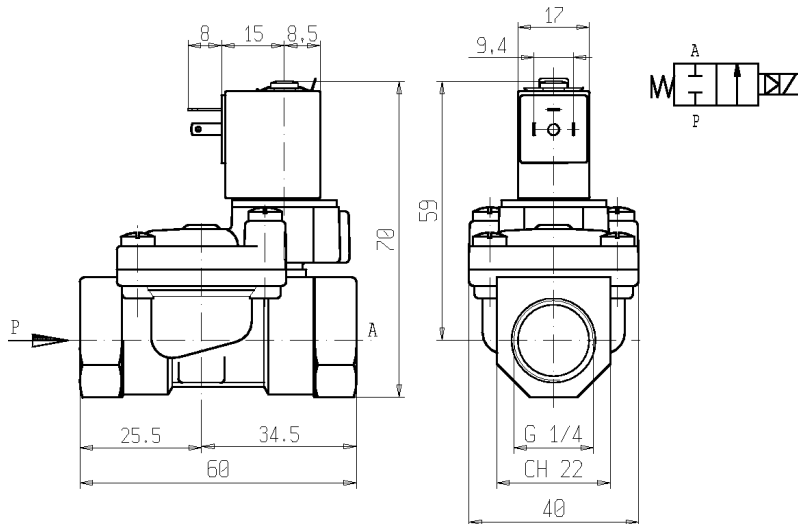


2/2 - SOLENOID VALVE - Normally closed (N.C.)

Series **L180V43** - Coil Z030C - G 1/4

ISO 9001

NON STANDARD



FEATURES - Indirect acting diaphragm valve having full orifice, to shut off liquid and gaseous media compatible with the valve materials. Minimum operating pressure is needed.

MOUNTING - In any position, vertical with coil upwards preferred.

VALVE - Brass body. Internal parts in brass and stainless steel. Seals as per table. Medium temperature from 0°C to +130°C. Max viscosity 5°E (~37cStokes or mm²/s). Opening time from ~300ms to ~1500ms. Closing time from ~1000ms to ~2000ms.

COIL - Rated for continuous duty, in DC (direct current). Coil in class "F" (+155°C) wound by class "H" wires (+180°C) vacuum impregnated by polyester resin and encapsulated into glass fibre reinforced PBT (polybutylene-terephthalate). Ambient temperature from -10°C to +60°C.

Standard voltages 12-24 V DC

Voltage tolerance +10% -5% DC.

Electric plug connection (DIN 46340) or suitable for micro-connectors.

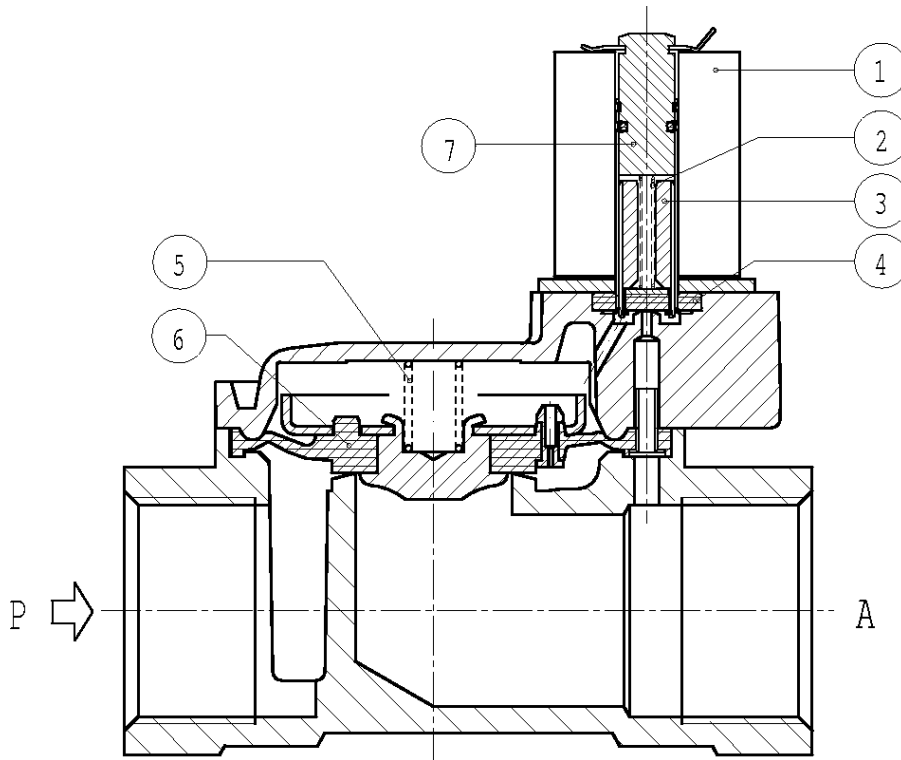
Protection degree IP65 as per EN 60529 if the coil is duly fitted with its plug micro-connector.

Port size ISO-228	Orifice size (mm)	Min P (bar)	Max pressure (bar)				Kv (m ³ /h)	Series and type		Power absorption			Seals	Notes	Weight (kg)
			Gases		Liquids			Valve	Coil	AC (VA)		DC (W)			
			AC	DC	AC	DC				Inrush	Holding				
G 1/4	11,5	0,35	-	8	-	8	1,3	L180V43	Z030C	-	-	2,5	FPM	-	0,340

- NOTES**
- Operation with gaseous media at high pressure without any outlet restriction, can reduce the diaphragm life.
 - Seal: FPM = Fluoro-carbon elastomer.
 - Other voltages on request.

SPARE PARTS

Series L180V43



Kit description

Kit P.N.

Consisting of:

Core kit	G3021302	Core pos. 3 Core return spring pos. 2 OR guide assembly pos. 4
Core return spring kit	G2786401	N. 10 core return springs pos. 2
Spring on diaphragm kit	G2424101	N. 10 spring on diaphragm pos. 5
OR guide assembly kit	GU2424000121	N. 10 OR guide assembly pos. 4
Diaphragm kit	2782502	Diaphragm assembly pos. 6
Guide pipe assembly	2894202	Guide pipe assembly pos. 7
Coil Z030C		Coil pos. 1

NB - THE VALIDITY OF REPORTED DATA IS REFERRED TO THE DATE OF ISSUE. POSSIBLE UPDATING ARE AVAILABLE ON REQUEST