

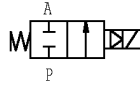
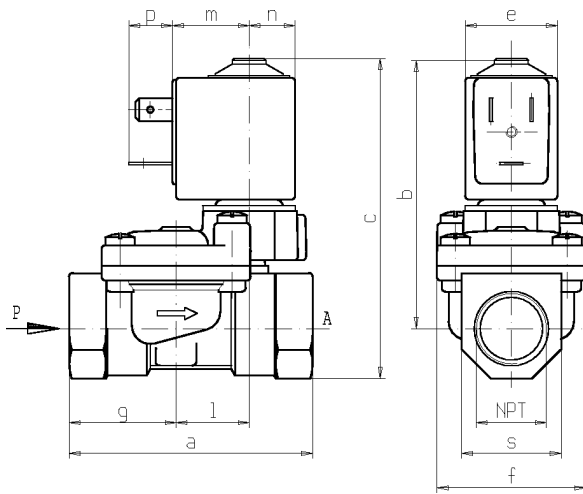


2/2 - SOLENOID VALVE - Normally closed (N.C.)

Series L180 - Coil Z610A - NPT 3/8 ÷ 1

L180

ISO 9001



NPT		a	b	c	e	f	g	l	m	n	p	s
G 3/8	in	2.36	2.8	3.23	0.98	1.57	1.004	0.79	0.83	0.49	0.47	0.87
	mm	60	71	82	25	40	25.5	20	21	12.5	12	22
G 1/2	in	2.60	2.89	3.43	0.98	1.57	1.14	0.79	0.83	0.49	0.47	1.06
	mm	66	73.5	87	25	40	29	20	21	12.5	12	27
G 3/4	in	3.11	3.13	3.78	0.98	1.97	1.4	0.96	0.83	0.49	0.47	1.30
	mm	79	79.5	96	25	50	35.5	24.5	21	12.5	12	33
G 1	in	4.13	3.66	4.49	0.98	2.79	1.77	1.10	0.83	0.49	0.47	1.65
	mm	105	93	114	25	71	46	28	21	12.5	12	42

FEATURES – Full orifice solenoid valve, pilot operated. Suitable to shut off liquid and gaseous media compatible with the valve materials.

MOUNTING - In any position, vertical with coil upwards preferred.

VALVE - Brass body. Internal parts in brass and stainless steel. Seals as per table. Medium temperature from 14°F to 194°F (NBR), from 32°F to 266°F (FPM). Max viscosity $\sim 3.98 \times 10^{-4}$ ft²/sec (~ 37 cStokes or mm²/s, 5°E). Opening time from ~ 300 ms to ~ 1500 ms. Closing time from ~ 1000 ms to ~ 2000 ms.

COIL - Rated for continuous duty, in AC (alternate current) or DC (direct current). Coil in class "F" (311°F) wound by class "H" wires (356°F) vacuum impregnated by polyester resin and encapsulated into glass fibre reinforced PBT (polybutylene-terephthalate). Ambient temperature from 14°F to 140°F.

Standard voltages 24-110-230V/50-60Hz and 12-24 V DC

Voltage tolerance +10% -15% AC and +10% -5% DC.

Electric plug connection (DIN 46340) or suitable for 3 poles connectors.

Protection degree IP65 as per EN 60529 if the coil is duly fitted with its plug connector.

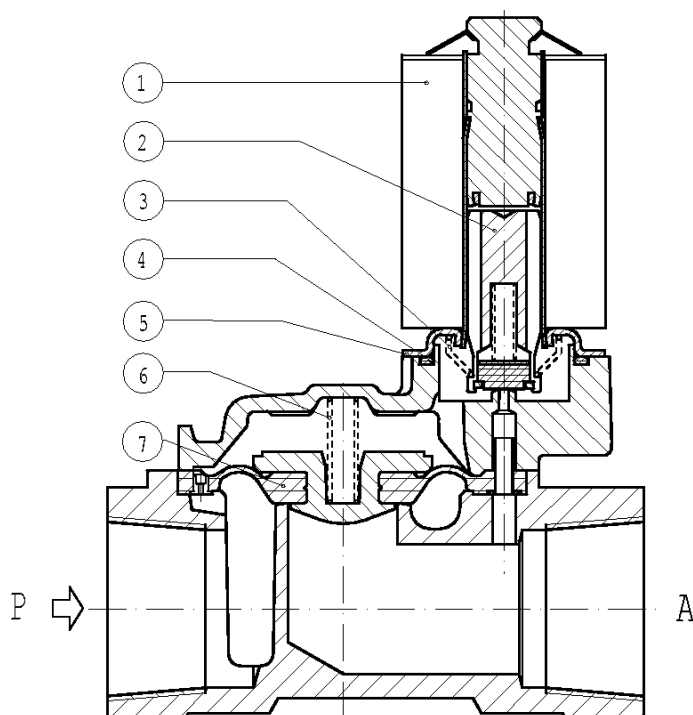
NON STANDARD

Port size NPT	Orifice size (ins.)	Pressure differential (psi)				Cv (GPM)	Series and type		Power absorption			Seals	Notes	Weight (lbs)							
		ΔP min	ΔP max				Valve	Coil	AC (VA)		DC (W)										
			Gases		Liquids				Inrush	Holding											
			AC	DC	AC										DC						
3/8	29/64	5.08	174	174	174	174	L180B27	Z610A	16	10	6	NBR	-	0.82							
			145	145	145	145									L180V27	FPM					
1/2	17/32		232	232	232	232	L180B33								NBR	16	10	6	FPM	-	0.97
			174	174	174	174	L180V33														
3/4	45/64		174	174	174	174	L180B27								NBR	16	10	6	FPM	-	1.27
			145	145	145	145	L180V27														
1	61/64		174	174	174	174	L180B27								NBR	16	10	6	FPM	-	2.50
			145	145	145	145	L180B27														

- NOTES**
- Operation with gaseous media at high pressure without any outlet restriction, can reduce the diaphragm life.
 - Seal: NBR = Nitrile-butylene elastomer FPM = Fluoro-carbon elastomer
 - Manual override available on request.
 - Other voltages and frequencies on request.

SPARE PARTS

Séries L180



Kit description		Kit P.N.	Consisting of :
Core kit	L180B27-B33 L180V27-V33	G2937301 G2937303	Core pos. 2 Core return spring pos. 3 OR guide assembly pos. 4
Core spring kit		G2927101	N.10 Core return springs pos. 3
Spring on diaphragm kit	G3/8 G1/2 G3/4 G1	G2424101 G2831901 G1844501 G2380201	N.10 Spring on diaphragm pos.6
OR guide assembly kit	L180B27-B33 L180V27-V33	GU2421000017 GU2424000017	N° 10 OR guide assembly pos. 4
Diaphragm kit	3/8 B27 1/2 B33 3/4 B27 1 B27 3/8 V27 1/2 V33 3/4 V27 1 V27	2782501 2844302 2299701 2380101 2782502 2844303 2299702 2380102	Diaphragm assembly pos.7
Guide pipe assembly		2593201	Guide pipe assembly pos. 5
Coil	Z610A		Coil pos. 1

NB - THE VALIDITY OF REPORTED DATA IS REFERRED TO THE DATE OF ISSUE. POSSIBLE UPDATING ARE AVAILABLE ON REQUEST